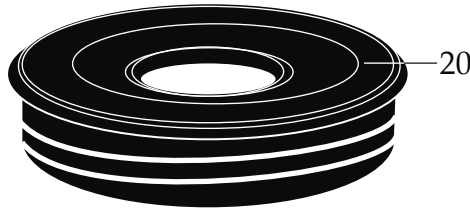
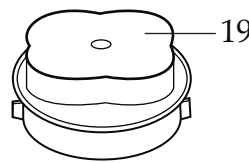
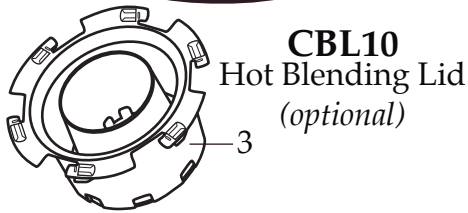
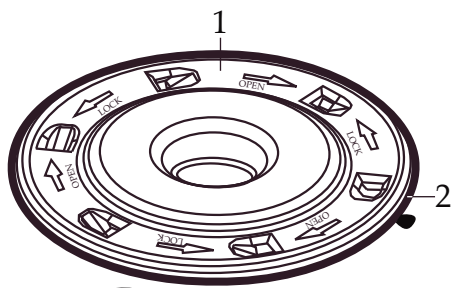


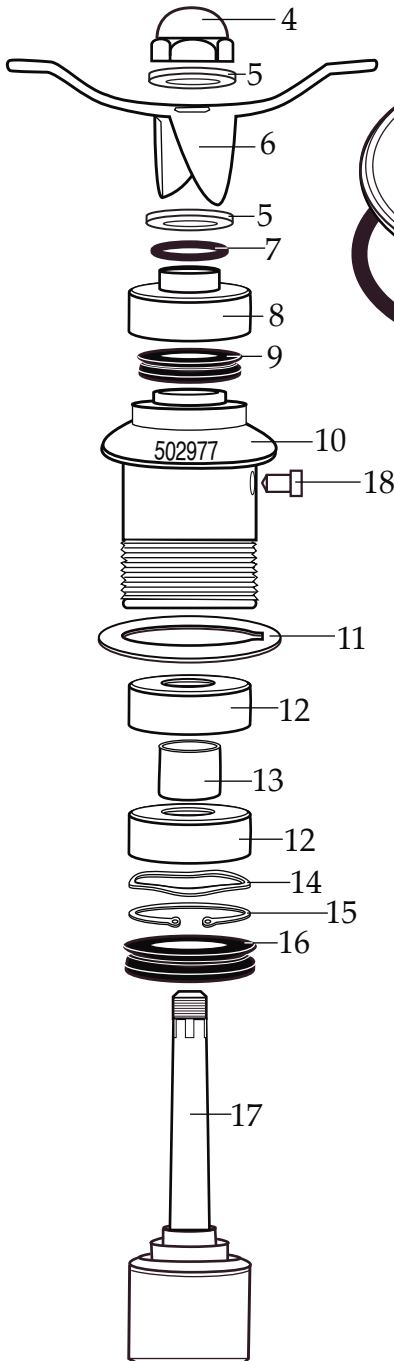
**WARING**  
**COMMERCIAL**

**CB15T**  
**CB15TB**  
Base Only

**CB15TS**  
CB15T with Hot Blending Lid

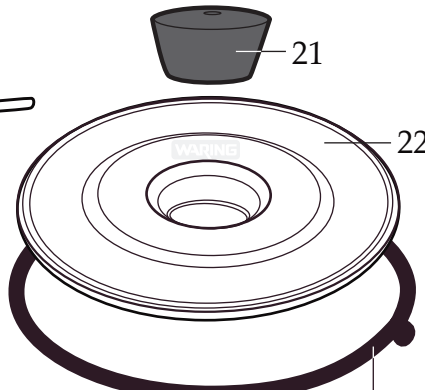


*current production*



**502977**

Blending Assembly  
(replaces 502493 or 502975)

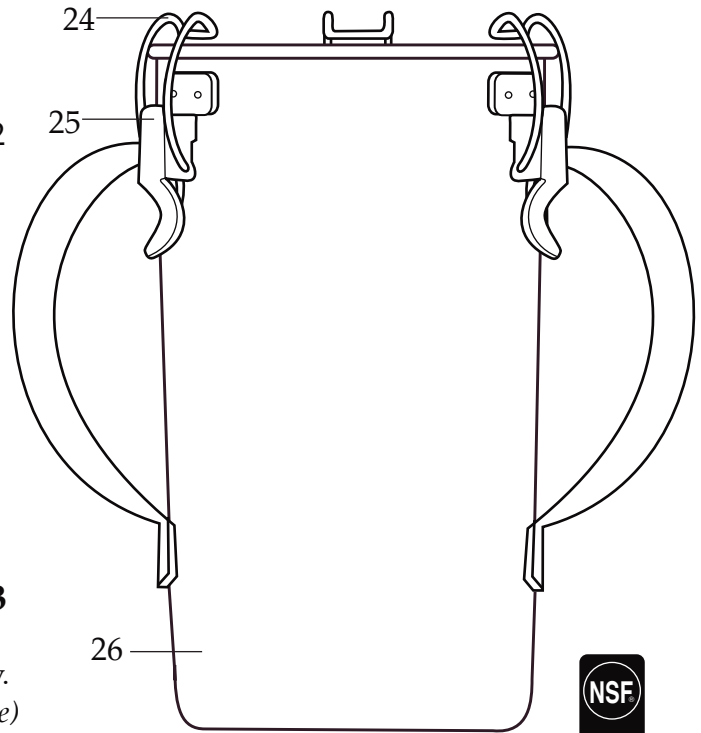


*older units*

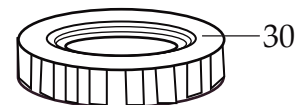
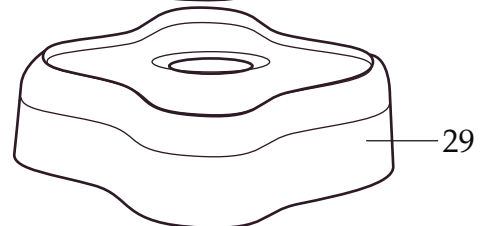
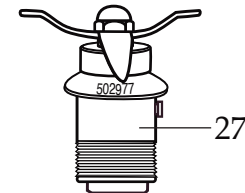
**Parts to old 502493 Blending Assy.**  
different from new Assy.  
(limited quantities available)  
018397 - Washer  
018388 - O Ring  
023903 - Bearing Cap

**Unit Information**

15.0 Amps. – 3.75 HP  
3 Year Limited Motor Warranty  
Electronic Membrane Keypad  
Slow Start™ Blending Mechanism  
Timer Adjustable from 10 seconds to 3 minutes  
Operating Cycle is 3 Min. ON and 1 Min. OFF



**013304**  
NSF Seal

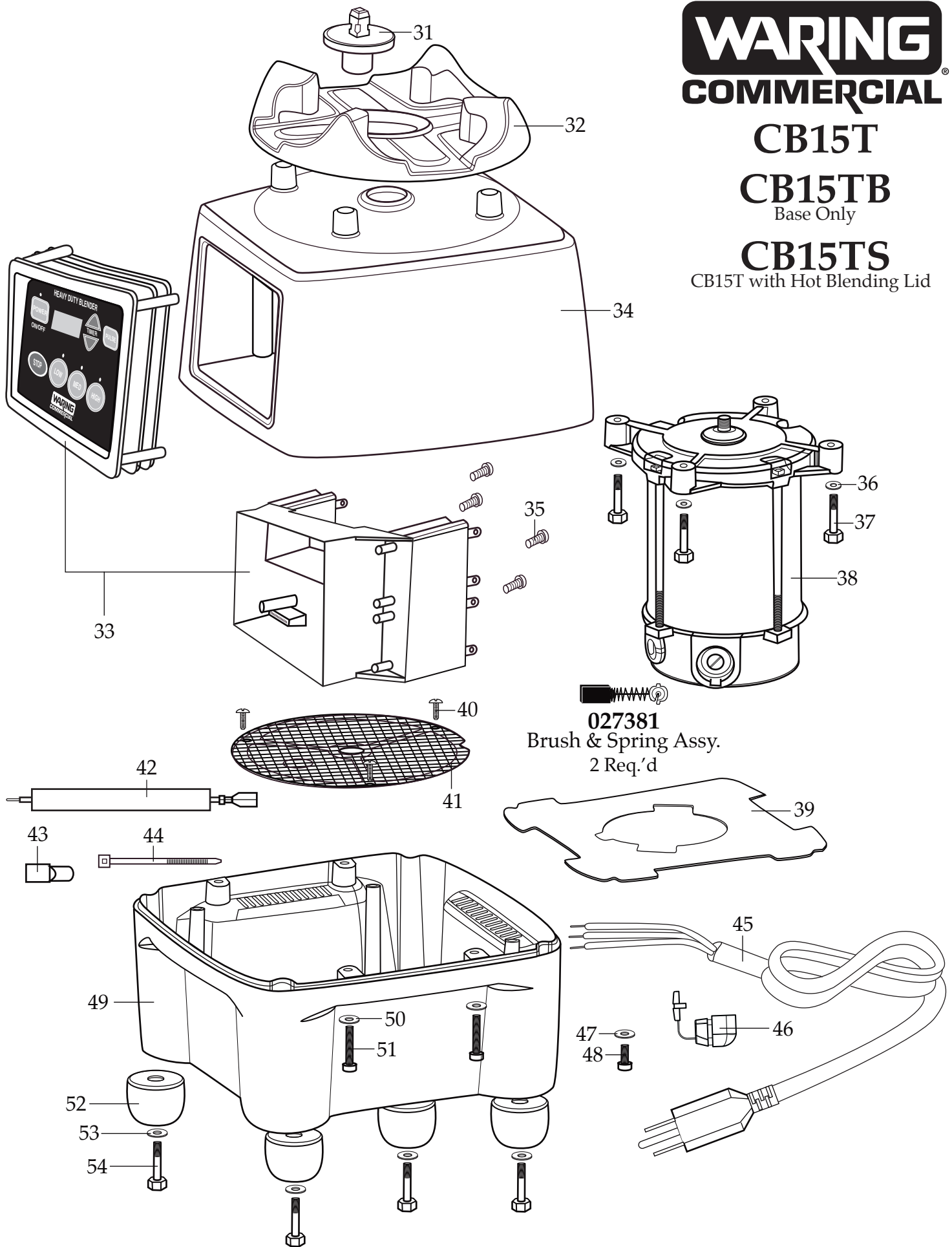


**502235** - Container with Blending Assy.  
**704587** - Container Complete with Lid

**WARING**  
**COMMERCIAL**

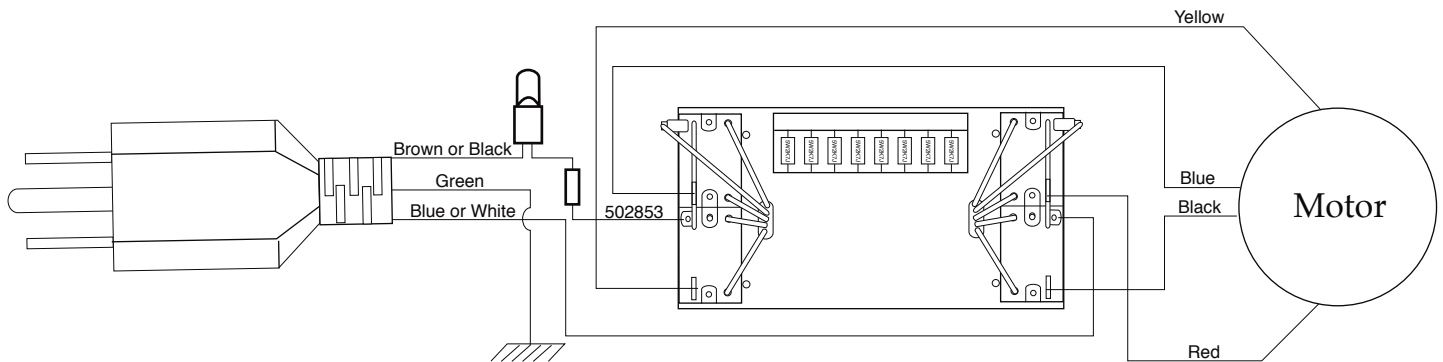
**CB15T**  
**CB15TB**  
Base Only

**CB15TS**  
CB15T with Hot Blending Lid



<b>Illustration #</b>	<b>Part #</b>	<b>Description</b>
1	024000	Outer Lid /polycarbonate for hot blending
2	026496	Gasket
3	023998	Baffle Cup for hot blending lid
4	002972	Cap Nut
5	027581	Washer /flat
6	027683	Blade
7	018389	"O" Ring
8	027582	Bearing Cap
9	018390	"V" Ring /small
10	023934	Bearing Holder
11	004946	Washer
12	018386	Bearing
13	023926	Spacer
14	023907	Spring Washer
15	023927	Retaining Ring
16	023906	"V" Ring /large
17	023933	Drive Shaft
18	025817	Key
19	028530	Cover Insert
20	028226	Outer Lid /vinyl
21	013470	Stopper
22	013469	Stainless Steel Outer Lid (plastic outer lid is no longer available)
23	017442	Gasket /stainless steel lid
	026496	Gasket /plastic lid
24	008791	Latch Wire 3 Req.'d
25	502773	Bracket Assy. /spot welded to container 3 Req.'d
26	023909	Double Handle Container
27	502977	Blending Assy. /complete
28	004949	Gasket /container base
29	025571	Container Support /container base
30	012008	Lock Nut
31	502696	Coupling
32	025871	Jar Pad

Illustration #	Part #	Description
33	028052	Control Module Panel
34	028025	Top Housing
	026316	Top Housing ( <i>older units</i> )
35	026497	Screw 4 Req.'d
36	002984	Washer 4 Req.'d
37	016691	Screw 4 Req.'d
38	026170	Motor /ECM
39	026318	Baffle
40	026500	Screw 6 Req.'d
41	018791	Screen
42	502853	Lead & Fuse Assy.
43	019123	Crimp Connector
44	013731	Cable Tie 5 Req.'d
45	502855	Cord Set
46	018811	Strain Relief
47	014798	Washer
48	016317	Screw
49	026317	Bottom Housing
50	002984	Washer 4 Req.'d
51	026412	Screw 4 Req.'d
52	026296	Foot 4 Req.'d
53	018314	Washer 4 Req.'d
54	026493	Screw 4 Req.'d



## Wiring Diagram