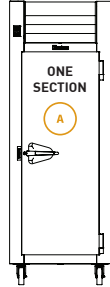


# G-SERIES ACCESSORY KITS

## 1 Section Models

### G-Series Accessory Kit Location Guide:

Each kit includes all necessary mounting hardware except where noted. All G-Series accessory kits are pre-packaged for easy installation at the job site.



One Section Models



#### TRAYSLIDES

- G1ACC-TK1
- G1ACC-TK2
- G1ACC-TK4
- G13ACC-1EZ
- G13ACC-UEZ
- G13ACC-HDUEZ

#### SHELVES

- G1ACC-SHLF1
- G1ACC-SHLF2
- G1ACC-SHLF5
- G1ACC-BTL5
- G12ACC-BTL1

DESCRIPTION	MODEL	HEATED CABINET	REFRIG. / FREEZER
<b>EZ-CHANGE KITS</b>			
(4) pairs #1 trayslides with pilasters per 1/2 section (top or bottom)	<b>G13ACC-1EZ</b>	Available	Available
(3) pairs universal with pilasters per 1/2 section (top or bottom)	<b>G13ACC-UEZ</b>	Available	Available
(3) pairs heavy duty universal with pilasters per 1/2 section (top or bottom)	<b>G13ACC-HDUEZ</b>	Available	Available
<b>TRAYSLIDES</b>			
(8) pairs #1 trayslides includes pilasters per full section	<b>G1ACC-TK1</b>	Available	Available
(2) pairs #4 trayslides includes pilasters per full section	<b>G1ACC-TK2</b>	Available	Available
(7) pairs universal trayslides includes pilasters per full section	<b>G1ACC-TK4</b>	Available	Available
<b>SHELVES</b>			
(3) epoxy coated shelves on pins	<b>G1ACC-SHLF1</b>	Not Available	Available
(3) epoxy coated shelves on pilasters	<b>G1ACC-SHLF2</b>	Not Available	Available
(1) epoxy coated shelf with pins & clips	<b>G1ACC-SHLF5</b>	Not Available	Available
(5) bottle shelves with mounting hardware (glass door models only)	<b>G1ACC-BTL5</b>	Not Available	Available
(1) bottle shelf with clips without mounting hardware (glass door models only)	<b>G12ACC-BTL1</b>	Not Available	Available

### OPTIONS

DESCRIPTION	PRICE
Export Crating	Available

### OTHER ACCESSORY KITS – FOR ALL G-SERIES REFRIGERATOR, FREEZER & HEATED MODELS

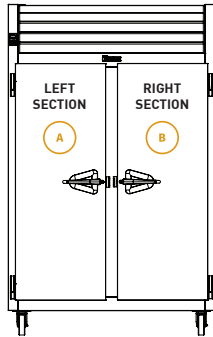
DESCRIPTION	MODEL	PRICE
Set of (4) 6" high legs	<b>GSACC-LEGS</b>	Available
Set of (4) 6" high casters	<b>CK1</b>	Available
Set of (4) 4-5/8" high casters	<b>CK3</b>	Available
Set of (4) 2-3/4" high casters	<b>CK14</b>	Available
Set of (4) 6" stainless steel flanged legs	<b>LK3</b>	Available
(1) pair #1 type trayslides (Must order pilasters. Consult factory for other trayslide and pilaster kit options.)	<b>GSACC-#1TS</b>	Available
(1) pair #4 type trayslides (Must order pilasters. Consult factory for other trayslide and pilaster kit options.)	<b>GSACC-#4TS</b>	Available
(1) pair universal type trayslides (Must order pilasters. Consult factory for other trayslide and pilaster kit options.) (excludes 2 section heated cabinets only)	<b>GSACC-UVTS</b>	Available
(1) pair EZ-Change #1 type trayslides (Must order pilasters. Consult factory for other trayslide and pilaster kit options.)	<b>GSACC-1EZ</b>	Available
(1) pair EZ-Change universal type trayslides (Must order pilasters. Consult factory for other tray slide and pilaster kit options.)	<b>GSACC-UEZ</b>	Available
(1) pair EZ-Change heavy duty universal type trayslides (Must order pilasters. Consult factory for other trayslide and pilaster kit options.)	<b>GSACC-HDUEZ</b>	Available
(1) set pilasters and clips for shelves (Not applicable for trayslides)	<b>GSACC-PLSTS</b>	Available

# G-SERIES ACCESSORY KITS

## 2 Section Models

### G-Series Accessory Kit Location Guide:

Each kit includes all necessary mounting hardware except where noted. All G-Series accessory kits are pre-packaged for easy installation at the job site.



Two Section Models

A		B	
TRAYSLIDES	SHELVES	TRAYSLIDES	SHELVES
■ G23ACC-TK1LR	■ G23ACC-SHLF1	■ G23ACC-TK1LR	■ G23ACC-SHLF5
■ G23ACC-TK2LR	■ G23ACC-SHLF2	■ G23ACC-TK2LR	■ G23ACC-SHLF6
■ G23ACC-TK4LR	■ G23ACC-SHLF9	■ G23ACC-TK4LR	■ G23ACC-SHLF11
■ G23ACC-1EZ	■ G2ACC-BTL5	■ G23ACC-1EZ	■ G2ACC-BTL5
■ G23ACC-UEZ		■ G23ACC-UEZ	
■ G23ACC-HDUEZ		■ G23ACC-HDUEZ	

DESCRIPTION	MODEL	HEATED CABINET	REFRIG. / FREEZER
-------------	-------	----------------	-------------------

### EZ-CHANGE KITS

LEFT AND RIGHT SECTION:			
(4) pairs #1 trayslides with pilasters per 1/2 section (top and bottom)	<b>G23ACC-1EZ</b>	Not Available	Available
(3) pairs universal with pilasters per 1/2 section (top and bottom)	<b>G23ACC-UEZ</b>	Not Available	Available
(3) pairs heavy duty universal with pilasters per 1/2 section (top and bottom)	<b>G23ACC-HDUEZ</b>	Not Available	Available

### TRAY SLIDES

LEFT AND RIGHT SECTION:			
(8) pairs #1 trayslides (with pilasters) per full section	<b>G23ACC-TK1LR</b>	Not Available	Available
(2) pairs #4 trayslides (with pilasters) per full section	<b>G23ACC-TK2LR</b>	Not Available	Available
(7) pairs universal trayslides (with pilasters) per full section	<b>G23ACC-TK4LR</b>	Available	Available

### SHELVES

LEFT SECTION:			
(3) epoxy coated shelves on pins	<b>G23ACC-SHLF1</b>	Not Available	Available
(3) epoxy coated shelves on pilasters	<b>G23ACC-SHLF2</b>	Not Available	Available
(1) epoxy coated shelf with pins & clips	<b>G23ACC-SHLF9</b>	Not Available	Available
RIGHT SECTION:			
(3) epoxy coated shelves on pins	<b>G23ACC-SHLF5</b>	Not Available	Available
(3) epoxy coated shelves on pilasters	<b>G23ACC-SHLF6</b>	Not Available	Available
(1) epoxy coated shelf with pins & clips	<b>G23ACC-SHLF11</b>	Not Available	Available
LEFT OR RIGHT SECTION:			
(1) plated shelf with pins & clips (hot food cabinets only)	<b>G23ACC-SHLF13</b>	Available	Not Available
(5) bottle shelves with mounting hardware (Glass door models only. Fits 1 section of a 2 section unit. Requires 2 kits to outfit both sections.)	<b>G2ACC-BTL5</b>	Not Available	Available

### OPTIONS

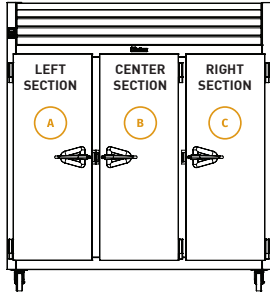
DESCRIPTION	PRICE
Export Crating	Available

# G-SERIES ACCESSORY KITS

## 3 Section Models

### G-Series Accessory Kit Location Guide:

Each kit includes all necessary mounting hardware except where noted. All G-Series accessory kits are pre-packaged for easy installation at the job site.



Three Section Models

A		B		C	
TRAYSLIDES	SHELVES	TRAYSLIDES	SHELVES	TRAYSLIDES	SHELVES
■ G23ACC-TK1LR	■ G23ACC-SHLF1	■ G3ACC-TK1C	■ G3ACC-SHLF5	■ G23ACC-TK1LR	■ G23ACC-SHLF5
■ G23ACC-TK2LR	■ G23ACC-SHLF2	■ G3ACC-TK2C	■ G3ACC-SHLF6	■ G23ACC-TK2LR	■ G23ACC-SHLF6
■ G23ACC-TK4LR	■ G23ACC-SHLF9	■ G3ACC-TK4C	■ G3ACC-SHLF15	■ G23ACC-TK4LR	■ G23ACC-SHLF11
■ G23ACC-1EZ	■ G3ACC-BTL5-LR	■ G13ACC-1EZ	■ G3ACC-BTL5-C	■ G23ACC-1EZ	■ G3ACC-BTL5-LR
■ G23ACC-UEZ		■ G13ACC-UEZ		■ G23ACC-UEZ	
■ G23ACC-HDUEZ		■ G13ACC-HDUEZ		■ G23ACC-HDUEZ	

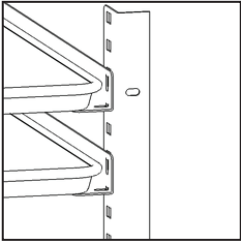
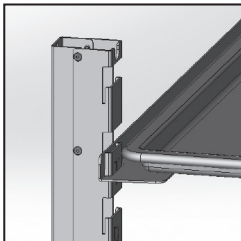
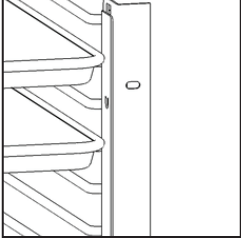
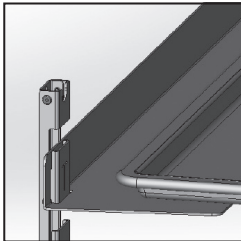
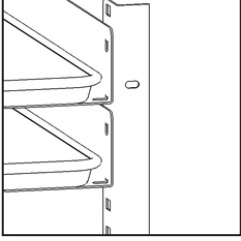
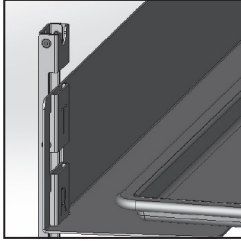
DESCRIPTIONS	MODEL	REFRIG. / FREEZER
<b>EZ-CHANGE KITS: (DOES NOT APPLY TO G-SERIES HEATED CABINETS)</b>		
<b>LEFT AND RIGHT SECTIONS:</b>		
(4) pairs #1 trayslides with pilasters per 1/2 section (top and bottom)	<b>G23ACC-1EZ</b>	Available
(3) pairs universal with pilasters per 1/2 section (top and bottom)	<b>G23ACC-UEZ</b>	Available
(3) pairs heavy duty universal with pilasters per 1/2 section (top and bottom)	<b>G23ACC-HDUEZ</b>	Available
<b>CENTER SECTION:</b>		
(4) pairs #1 trayslides with pilasters per 1/2 section (top and bottom)	<b>G13ACC-1EZ</b>	Available
(3) pairs universal with pilasters per 1/2 section (top and bottom)	<b>G13ACC-UEZ</b>	Available
(3) pairs heavy duty universal with pilasters per 1/2 section (top and bottom)	<b>G13ACC-HDUEZ</b>	Available
<b>TRAYSLIDES: (DOES NOT APPLY TO G-SERIES HEATED CABINETS)</b>		
<b>LEFT AND RIGHT SECTIONS:</b>		
(8) pairs #1 trayslides (with pilasters) per full section	<b>G23ACC-TK1LR</b>	Available
(2) pairs #4 trayslides (with pilasters) per full section	<b>G23ACC-TK2LR</b>	Available
(7) pairs universal trayslides (with pilasters) per full section	<b>G23ACC-TK4LR</b>	Available
<b>CENTER SECTION:</b>		
(8) pairs #1 trayslides (with pilasters) per full section	<b>G3ACC-TK1C</b>	Available
(2) pairs #4 trayslides (with pilasters) per full section	<b>G3ACC-TK2C</b>	Available
(7) pairs universal trayslides (with pilasters) per full section	<b>G3ACC-TK4C</b>	Available
<b>SHELVES: (DOES NOT APPLY TO G-SERIES HEATED CABINETS)</b>		
<b>LEFT SECTION:</b>		
(3) epoxy coated shelves on pins	<b>G23ACC-SHLF1</b>	Available
(3) epoxy coated shelves on pilasters	<b>G23ACC-SHLF2</b>	Available
(1) epoxy coated shelf with pins & clips (for Left Section)	<b>G23ACC-SHLF9</b>	Available
<b>CENTER SECTION:</b>		
(3) epoxy coated shelves on pins	<b>G3ACC-SHLF5</b>	Available
(3) epoxy coated shelves on pilasters	<b>G3ACC-SHLF6</b>	Available
(1) epoxy coated shelf with pins & clips (for Center Section)	<b>G3ACC-SHLF15</b>	Available
(5) bottle shelves with mounting hardware (glass door models only)	<b>G3ACC-BTL5-C</b>	Available
<b>RIGHT SECTION:</b>		
(3) epoxy coated shelves on pins	<b>G23ACC-SHLF5</b>	Available
(3) epoxy coated shelves on pilasters	<b>G23ACC-SHLF6</b>	Available
(1) epoxy coated shelf with pins & clips (for Right Section)	<b>G23ACC-SHLF11</b>	Available
<b>LEFT OR RIGHT SECTION:</b>		
(5) bottle shelves with mounting hardware (Glass door models only. Fits Left or Right section of a 3 section unit. Requires 2 kits to outfit both Left and Right sections.)	<b>G3ACC-BTL5-LR</b>	Available

## OPTIONS

DESCRIPTIONS	PRICE
Export Crating	Available

## G-SERIES ACCESSORY KITS

### Trayslide & Shelf Versatility Chart

TRAYSLIDES	EZ-CHANGE TRAYSLIDES
 <p><b>#1 Trayslides Standard</b></p>	 <p><b>#1 Trayslides EZ-Change</b></p>
 <p><b>#4 Trayslides Standard</b></p>	 <p><b>Universal Trayslides EZ-Change</b></p>
 <p><b>Universal Trayslides Standard</b></p>	 <p><b>Heavy-Duty Universal Trayslides EZ-Change</b></p>

- NOTES:**
- For all after market parts call Traulsen parts department 800-825-8220.
  - The above quantities represent the maximum amount of tray slides recommended by Traulsen to achieve best air circulation and refrigeration performance.
  - Optional trayslides are not available for Compact Undercounter, and Prep Tables models
  - EZ-Change Interior Universal Trayslides max weight 75 lbs. EZ-Change Heavy Duty Universal Trayslides max weight 125 lbs.
  - #1, #4, universal and HD universal EZ change trayslides are not available for 2 section G Series heated cabinets.\*
  - All G-Series accessory kits are pre-packaged for easy installation at the job site.

### TRAYSLIDES

DESCRIPTION	SPACING			
<b>#1 TRAYSLIDES (NOT AVAILABLE FOR 2 SECTION G HEATED)*</b>				
<b>16 ga. stainless steel angle type for bottom support of:</b> (1) 18" x 26" Pan or (2) 14" x 18" Pans	<b>2"</b>	<b>3"</b>	<b>4"</b>	<b>5"</b>
Behind full height door – all models	28	19	14	11
Behind upper half height door – all models	13	9	7	5
Behind lower half height door – all models	13	9	7	5
<b>#1 Trayslides – EZ-Change Interior</b> (Not available for 2 section G Heated)*	<b>2"</b>		<b>4"</b>	
Behind full height door – all models	26		13	
Behind upper half height door	12		6	
Behind lower half height door	12		6	
<b>#4 TRAYSLIDES – STANDARD (NOT AVAILABLE FOR 2 SECTION G HEATED)*</b>				
<b>Plated steel rod type for rim support of:</b> (1) 18" x 26" Pan (One pair of #4 trayslides accommodates one half section)	<b>1-1/2"</b>			
Behind full height door – all models	38			
Behind upper half height door – all models	18			
Behind lower half height door – all models	18			
<b>UNIVERSAL TRAYSLIDES – STANDARD</b>				
<b>16 ga. stainless steel angle type for bottom support of:</b> (1) 18" x 26" Pan or (2) 14" x 18" Pans or (2) 12" x 20" Pans. For heated cabinets reduce available number of trayslides by 1 (full door and the upper section of a half-door)	<b>4"</b>	<b>5"</b>	<b>6"</b>	
Behind full height door – all models	14	11	9	
Behind upper half height door – all models	6	5	4	
Behind lower half height door – all models	7	5	4	
<b>Universal Trayslides – EZ-Change Interior</b> (Not available for 2 Section G Heated)*. For heated cabinets reduce available number of trayslides by 1 (full door and the upper section of a half-door)	<b>2-1/4"</b>		<b>4-1/2"</b>	
Behind full height door – all models	22		11	
Behind upper half height door	11		5	
Behind lower half height door	11		5	
<b>Heavy-Duty Universal Trayslides – EZ-Change Interior</b> (Not available for 2 Section G Heated)*. For heated cabinets reduce available number of tray slides by 1 (full door and the upper section of a half-door)	<b>4-1/2"</b>		<b>9"</b>	
Behind full height door – all models	10		5	
Behind upper half height door	5		2	
Behind lower half height door	5		2	

### SHELVES (SOME SHELVES ARE NOT AVAILABLE FOR G HEATED)

CAPACITY	STD.	MAX.
Behind full height door mounted on standard shelf pins	3	9
Behind half height door mounted on standard shelf pins	3	8
Behind full height door mounted on optional pilasters	3	13 (4" spacing)
Behind half height door mounted on optional pilasters	3	12 (4" spacing)