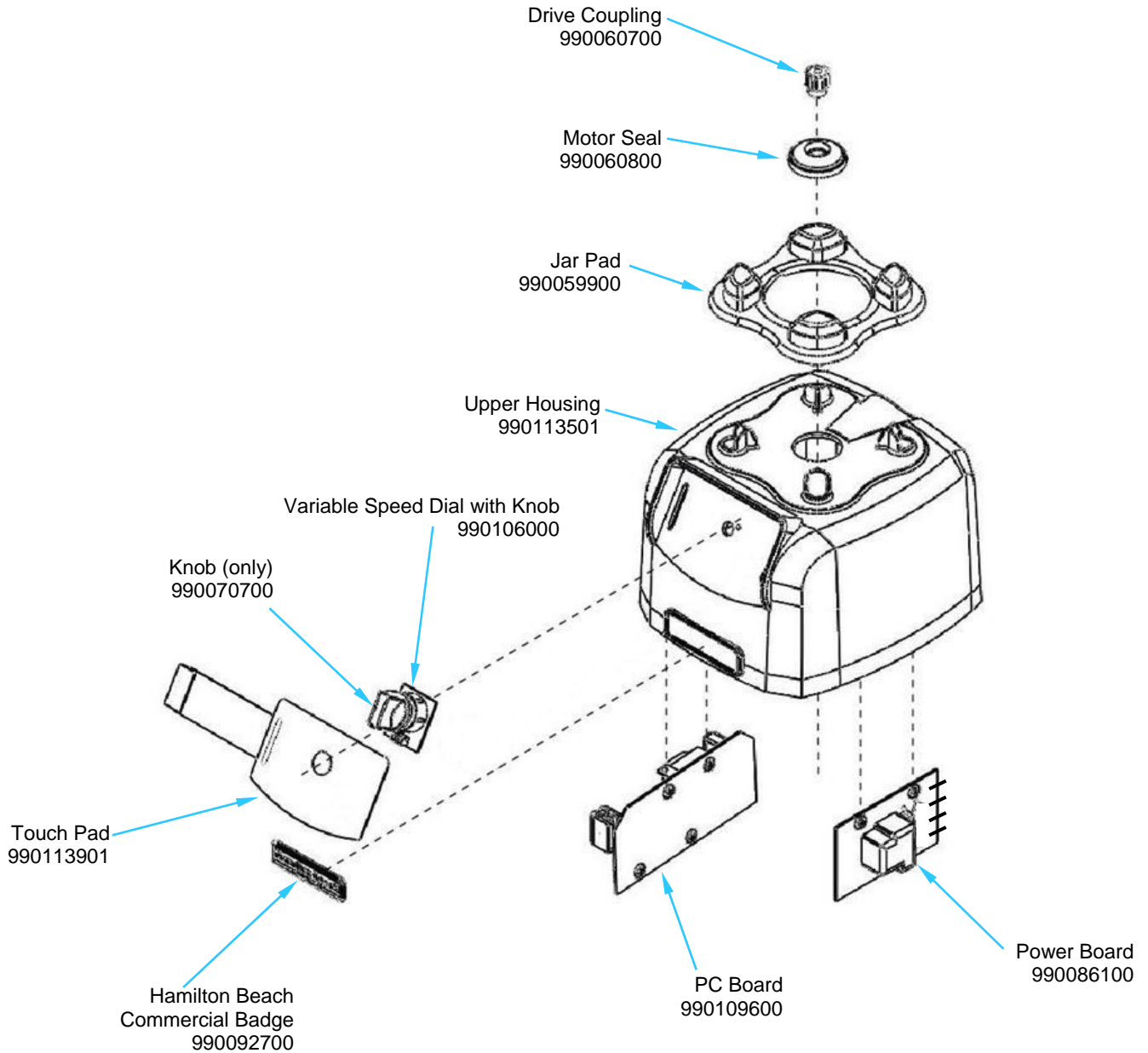



Replacement Parts Diagrams

HBF600S (Series A)

PROPRIETARY RIGHTS NOTICE This document and all information contained within it is the property of Hamilton Beach Brands, Inc. (HBB). It is confidential and proprietary and has been provided to you for a limited purpose. It must be returned or destroyed upon request. Disclosure, reproduction or use of this document and any information contained within it, in full or in part, for any purpose is forbidden without the prior written consent of HBB. No photographs may be taken of any article fabricated or assembled from this document without the prior written consent of HBB.

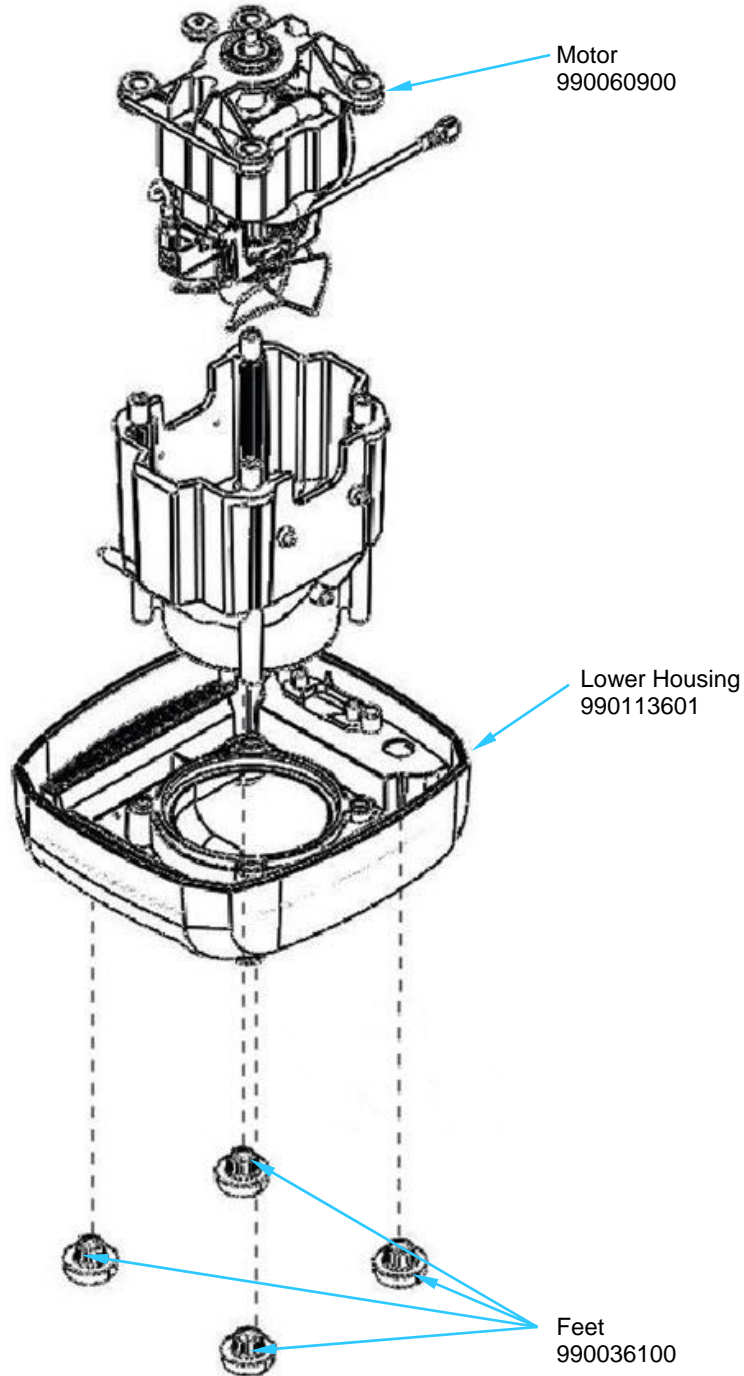


 4421 Waterfront Drive Glen Allen, VA 23060	Revision Description:		PRODUCTION RELEASE.						
	Request Number:		DOC2401	Revision Date:		03/21/12	Approved by:		DOC2401
	Issue Code(s):		CS, SP	Page:	1 of 3	Document #:	540004000		Rev:

Replacement Parts Diagrams

HBF600S (Series A)

PROPRIETARY RIGHTS NOTICE This document and all information contained within it is the property of Hamilton Beach Brands, Inc. (HBB). It is confidential and proprietary and has been provided to you for a limited purpose. It must be returned or destroyed upon request. Disclosure, reproduction or use of this document and any information contained within it, in full or in part, for any purpose is forbidden without the prior written consent of HBB. No photographs may be taken of any article fabricated or assembled from this document without the prior written consent of HBB.



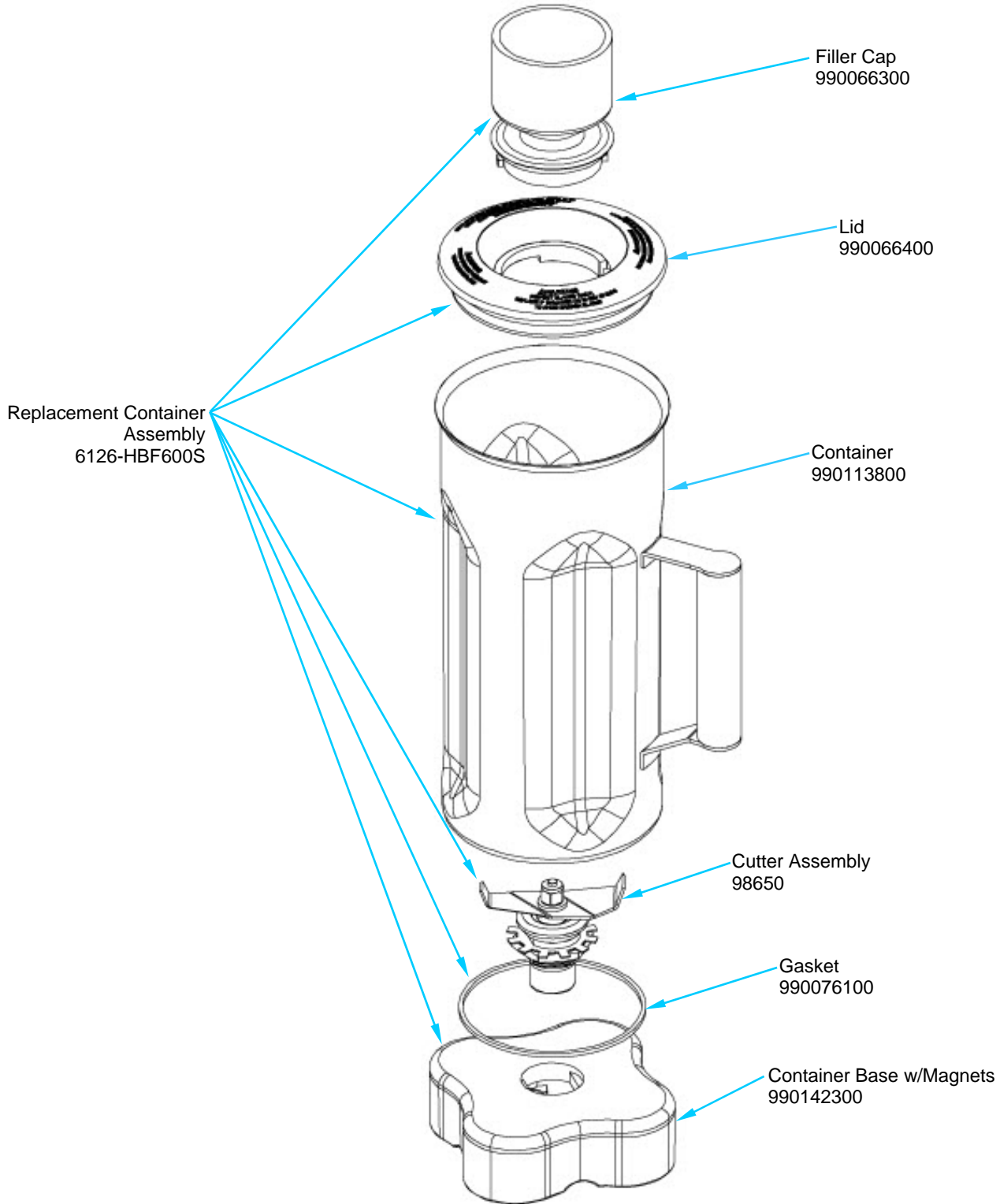
Not Shown:


- Power Cord – 990060600
- Cord Socket – 990064800
- Motor Brush Kits – 990075300
- Jar Sensor – 990084400
- Breaker Switch – 990114100

Hamilton Beach 4421 Waterfront Drive Glen Allen, VA 23060	Revision Description:		PRODUCTION RELEASE.					
	Request Number:	DOC2401	Revision Date:	03/21/12	Approved by:	DOC2401		
	Issue Code(s):	CS, SP	Page:	2 of 3	Document #:	540004000	Rev:	A

Replacement Parts Diagrams HBF600S (Series A)

PROPRIETARY RIGHTS NOTICE This document and all information contained within it is the property of Hamilton Beach Brands, Inc. (HBB). It is confidential and proprietary and has been provided to you for a limited purpose. It must be returned or destroyed upon request. Disclosure, reproduction or use of this document and any information contained within it, in full or in part, for any purpose is forbidden without the prior written consent of HBB. No photographs may be taken of any article fabricated or assembled from this document without the prior written consent of HBB.



 Hamilton Beach 4421 Waterfront Drive Glen Allen, VA 23060	Revision Description:		PRODUCTION RELEASE.				
	Request Number:	DOC2401	Revision Date:	03/21/12	Approved by:	DOC2401	
	Issue Code(s):	CS, SP	Page:	3 of 3	Document #:	540004000	Rev: