

## Unit Information

Limited 3 Year Motor Warranty  
 Two Year Parts & Labor  
 60Hz – 13 Amps  
 Height 19" – Weight 15 lbs.  
 3 HP Motor  
 30,000+ RPM's  
 One Piece Dishwasher Safe  
 Removable Jar Pad

# WARING COMMERCIAL®

## MX1000XT

64 oz. BPA-Free copolyester container

## MX1000XTP

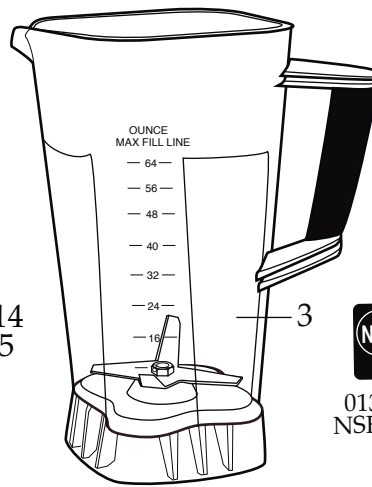
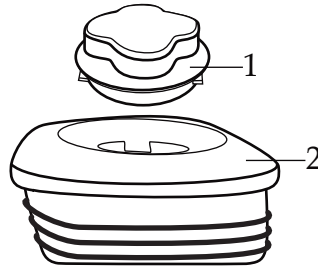
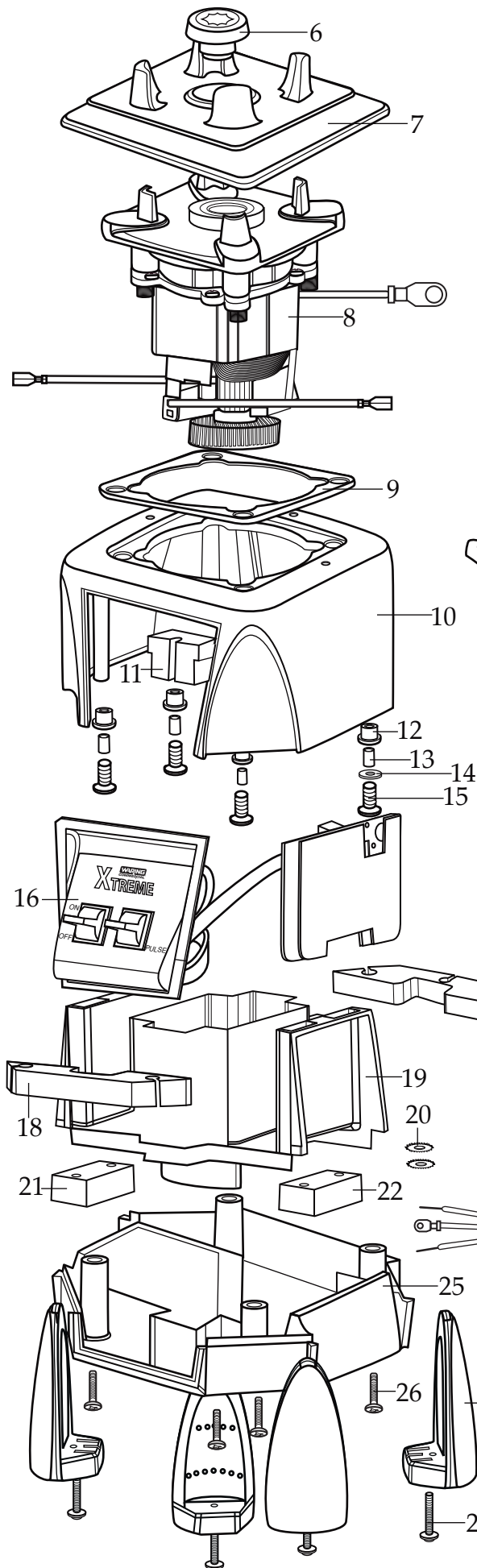
32-48 oz. BPA-Free copolyester container

## MX1000XTS

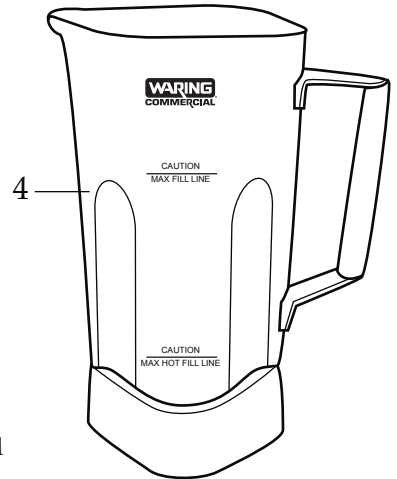
64 oz. stainless steel container

## NDG1000XT

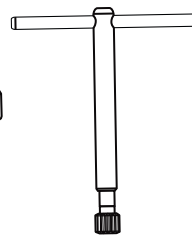
NextDayGourmet-private label  
 64 oz. BPA-Free copolyester container



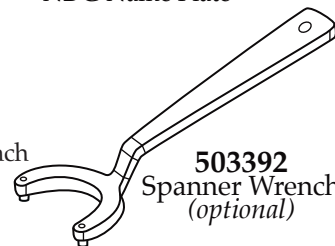
013304  
 NSF Seal



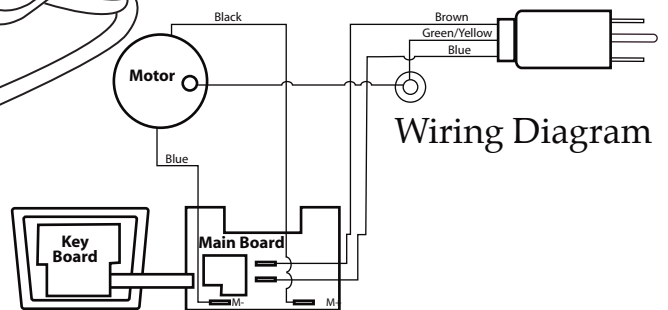
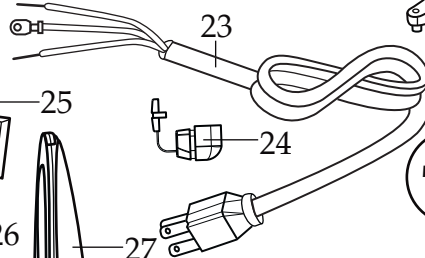
028671  
 NDG Name Plate



503351  
 MX Coupling Wrench  
 (optional)



503392  
 Spanner Wrench  
 (optional)



Wiring Diagram

**Catalog****Model**

MX1000XT	MX1000XT11
MX1000XTP	MX1000XT21
MX1000XTS	MX1000XT31
NDG1000XT	MX1000XT11

**Waring Factory Service Center**  
 314 Ella T. Grasso Ave.  
 Torrington, CT 06790  
 Tele. 1-800-269-6640

Fax 860-496-9017  
 www.waringproducts.com



<b>Illustration #</b>	<b>Part #</b>	<b>Description</b>
1	026425-E	Jar Lid Cover
2	026424	Jar Lid
3	503347	Jar with Blending Assy. /64 oz. Eastman
4	503346	Jar with Blending Assy. /64 oz. stainless steel
5	503348	Jar with Blending Assy. /32-48 oz. Eastman
6	028538	Drive Clutch
7	026442	Jar Pad
8	028100	Motor
9	026437	Dampening Plate Gasket
10	028032-09	Top Housing /black
11	028541	Motor Foam 2 Req.'d
12	026439	Dampening Plate Bushing 4 Req.'d
13	026453	Dampening Plate Sleeve 4 Req.'d
14	026459	Washer
15	028929	Screw 4 Req.'d
	026455	Screw 4 Req.'d (older units)
	026459	Washer 4 Req.'d (older units)
16	029808	Control Panel /soft start
	028903	Control Panel /NextDay Gourmet
17	028248	Housing Foam Baffle /rear
18	028249	Housing Foam Baffle /front
19	028240	Motor Housing
20	002943	Washer 2 Req.'d
21	028247	Bottom Housing Foam Baffle
22	028542	Foam Baffle
23	026925	Cord Set
24	007556	Strain Relief
25	028241-09-x	Bottom Housing /black
26	012505	Screw 4 Req.'d
27	026430	Corner Post 4 Req.'d
28	028928	Screw 4 Req.'d
	026459	Washer 4 Req.'d (older units)
	012505	Screw 4 Req.'d (older units)

Catalog	Model
MX1000XT	MX1000XT11
MX1000XTP	MX1000XT21
MX1000XTS	MX1000XT31
NDG1000XT	MX1000XT11

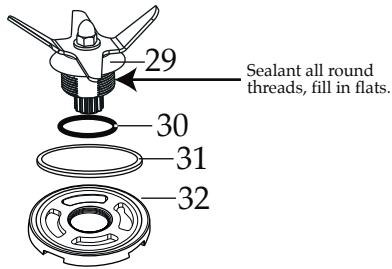
**Waring Factory Service Center**  
 314 Ella T. Grasso Ave.  
 Torrington, CT 06790  
 Tele. 1-800-269-6640  
 Fax 860-496-9017  
 www.waringproducts.com

Illustration #	Part #	Description
29	503345	Blade Assy.
30	024271	O Ring
31	024268	Nut Gasket
32	029631	Bearing Holder Nut
33	026423-E	64 oz. Eastman Container
34	029003-E	32-48 oz. Eastman Container
35	026798	Support Washer
36	026648	64 oz. Containter / stainless steel
37	026649	Container Support
38	026797	Bearing Holder Gasket
39	026796	Bearing Holder Washer
40	026795	SS Jar Bearing Holder Nut

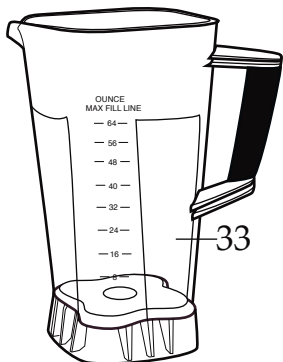
**Notes for 503347 & 503348 :**

Torque 100-125 in/lbs

Sealant all around the threads, fill in flats.  
**Dow Corning Sealant RTV 733**



**031060**  
Blending Assy. Kit



**503347 and 503348 - Eastman Containers**

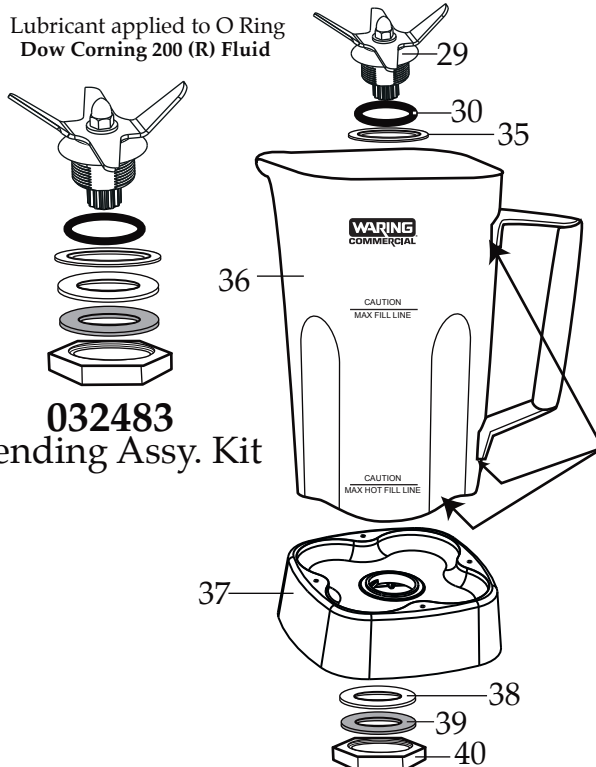


**Notes for 503346 :**

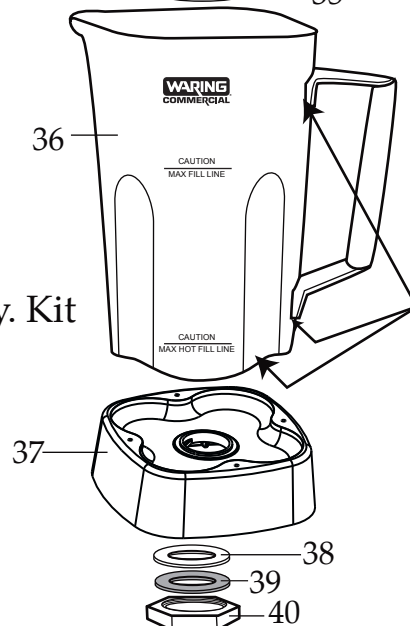
Torque 100-125 in/lbs

Sealant applied all around indicated areas.  
**Dow Corning Sealant RTV 733**

Lubricant applied to O Ring  
**Dow Corning 200 (R) Fluid**



**032483**  
Blending Assy. Kit



**503346 - Stainless Steel Container**