

WARING
COMMERCIAL

MX1100XT

64 oz. BPA-Free copolyester container

MX1100XTC

ServeCanada 64 oz. BPA-Free copolyester container

MX1100XTP

32-48 oz. BPA-Free copolyester container

MX1100XTS

64 oz. stainless steel container

MX1100XTSEC

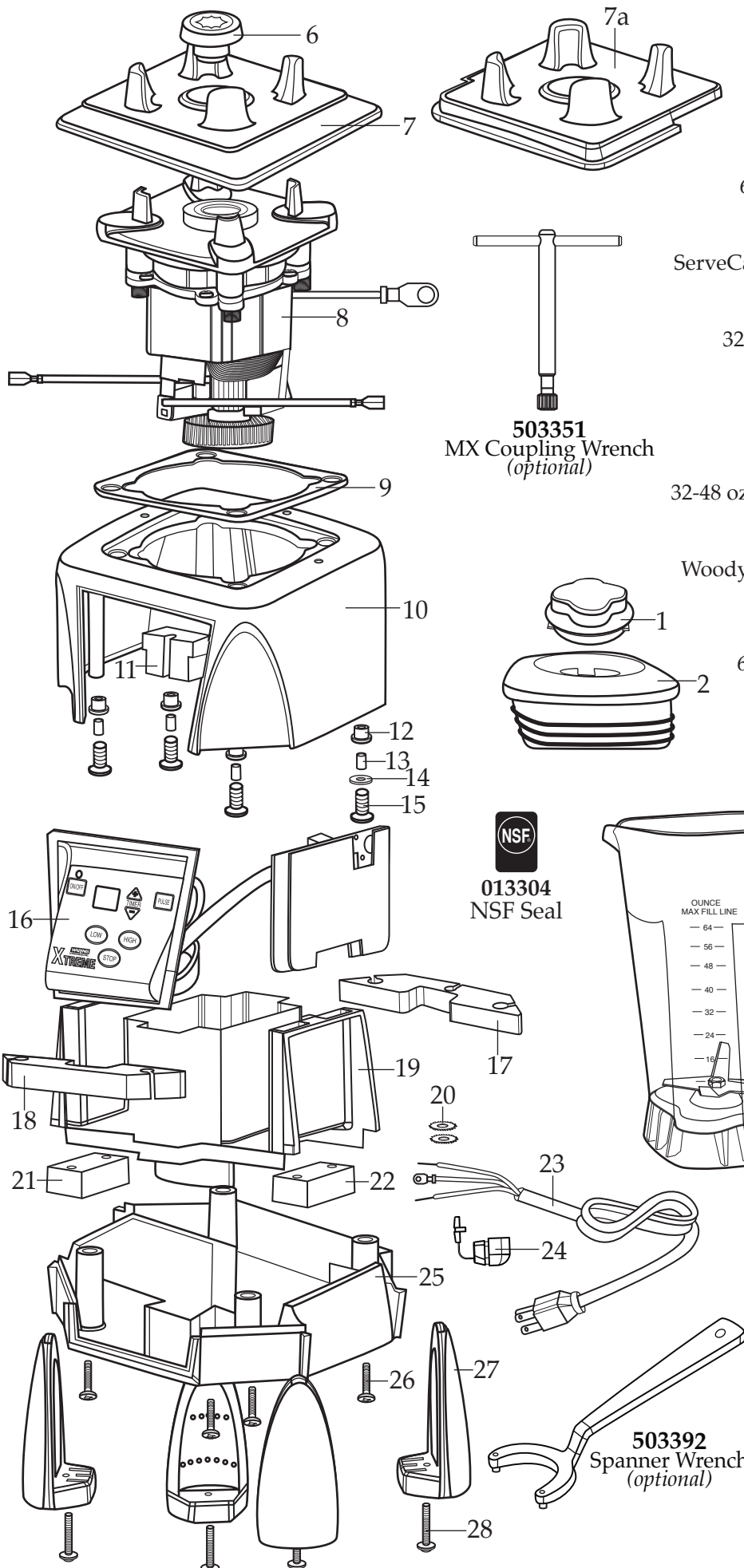
32-48 oz. BPA-Free copolyester container with SE1000

MX1100XTWT

Woody's 32-48 oz. BPA-Free copolyester container

NDG1100XT

NextDayGourmet-private label
64 oz. BPA-Free copolyester container



503351
MX Coupling Wrench
(optional)

NSF
013304
NSF Seal

503392
Spanner Wrench
(optional)



Unit Information	
Limited 3 Year Motor Warranty	
Two Year Parts & Labor	
60Hz - 13 Amps	
3 HP Motor - 30,000+ RPM's	
30 Second Electronic Countdown Timer	
One Piece Dishwasher Safe Removable Jar Pad	

Catalog**Model**

MX1100XT	MX1100XT11
MX1100XTC	MX1100XTC
MX1100XTP	MX1100XT21
MX1100XTS	MX1100XT31
MX1100XTSEC	MX1100XTSEC
MX1100XTWT	MX1100XT21
NDG1100XT	MX1100XT11



Illustration #	Part #	Description
1	026425-E	Jar Lid Cover
2	026424	Jar Lid
3	503347	Jar with Blending Assy. /64 oz. Eastman
4	503346	Jar with Blending Assy. /64 oz. stainless steel
5	503348	Jar with Blending Assy. /32-48 oz. Eastman
6	028538	Drive Clutch
7	026442	Jar Pad
7a	026443	Jar Pad /use with sound enclosure
8	028100	Motor
9	026437	Dampening Plate Gasket
10	028032-09	Top Housing /black
11	028541	Motor Foam 2 Req.'d
12	026439	Dampening Plate Bushing 4 Req.'d
13	026453	Dampening Plate Sleeve 4 Req.'d
14	026459	Washer
15	028929	Screw 4 Req.'d
	026459	Washer 4 Req.'d (older units)
	026455	Screw 4 Req.'d (older units)
16	028390	Control Panel
	028904	Control Panel /NextDay Gourmet
17	028248	Housing Foam Baffle / rear
18	028249	Housing Foam Baffle / front
19	028240	Motor Housing
20	002943	Washer 2 Req.'d
21	028247	Bottom Housing Foam Baffle
22	028542	Foam Baffle
23	026925	Cord Set
24	007556	Strain Relief
25	028241-09-x	Bottom Housing /black
26	012505	Screw 4 Req.'d
27	026430	Corner Post 4 Req.'d

Catalog

Model

MX1100XT	MX1100XT11
MX1100XTC	MX1100XTC
MX1100XTP	MX1100XT21
MX1100XTS	MX1100XT31
MX1100XTSEC	MX1100XTSEC
MX1100XTWT	MX1100XT21
NDG1100XT	MX1100XT11

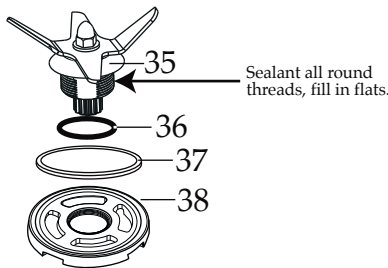
Waring Factory Service Center
 314 Ella T. Grasso Ave.
 Torrington, CT 06790
 Tele. 1-800-269-6640
 Fax 860-496-9017
 www.waringproducts.com

Illustration #	Part #	Description
28	028928 026459 012505	Screw 4 Req.'d Washer 4 Req.'d (older units) Screw 4 Req.'d (older units)
29	026432	Inner Enclosure
30	026433	Outer Enclosure
31	027447	O Ring 2 Req.'d
32	026461	Screw 3 Req.'d
33	026434	Sound Enclosure Handle
34	012505	Screw 2 Req.'d
35	503345	Blade Assy.
36	024271	O Ring
37	024268	Nut Gasket
38	029631	Bearing Holder Nut
39	026423-E	64 oz. Eastman Container
40	029003-E	32-48 oz. Eastman Container

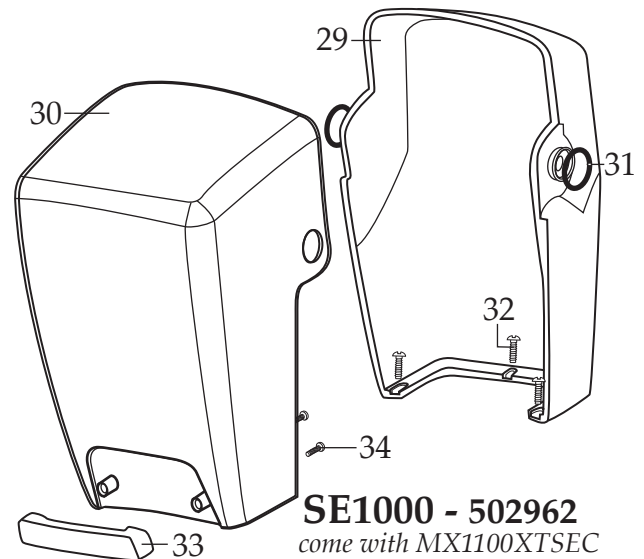
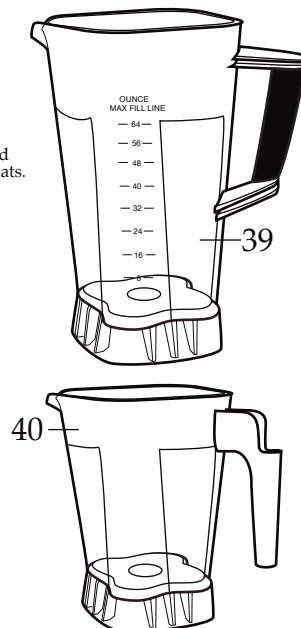
Notes for 503347 & 503348 :

Torque 100-125 in/lbs

Sealant all around the threads, fill in flats.
 Dow Corning Sealant RTV 733



031060
 Blending Assy. Kit



SE1000 - 502962
 come with MX1100XTSEC

503347 and 503348 - Eastman Containers

Catalog

Model

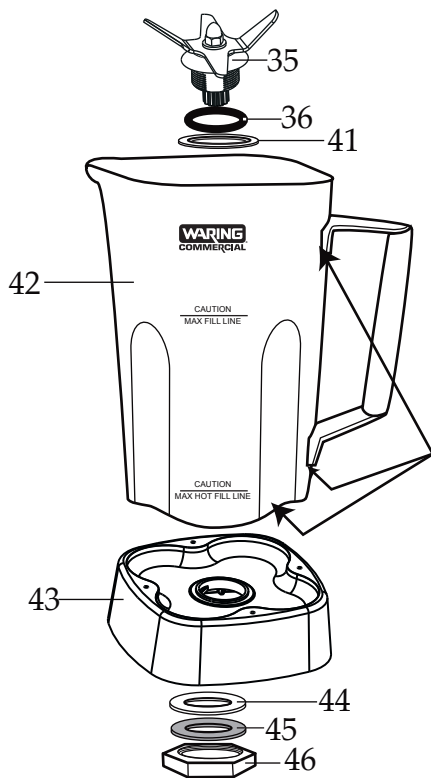
MX1100XT	MX1100XT11
MX1100XTC	MX1100XTC
MX1100XTP	MX1100XT21
MX1100XTS	MX1100XT31
MX1100XTSEC	MX1100XTSEC
MX1100XTWT	MX1100XT21
NDG1100XT	MX1100XT11

Waring Factory Service Center
 314 Ella T. Grasso Ave.
 Torrington, CT 06790
 Tele. 1-800-269-6640

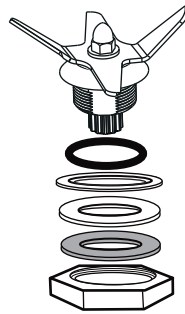
Fax 860-496-9017
 www.waringproducts.com

Illustration #	Part #	Description
----------------	--------	-------------

41	026798	Support Washer
42	026648	64 oz. Containter / stainless steel
43	026649	Container Support
44	026797	Bearing Holder Gasket
45	026796	Bearing Holder Washer
46	026795	SS Jar Bearing Holder Nut



Sealant applied all round these indicated areas.



032483
Blending Assy. Kit

Notes for 503346 :

Torque 100-125 in/lbs

Sealant applied all around indicated areas.
 Dow Corning Sealant RTV 733

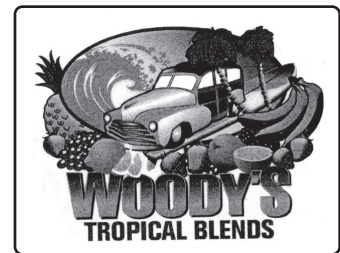
Lubricant applied to O Ring
 Dow Corning 200 (R) Fluid

503346 - Stainless Steel Container



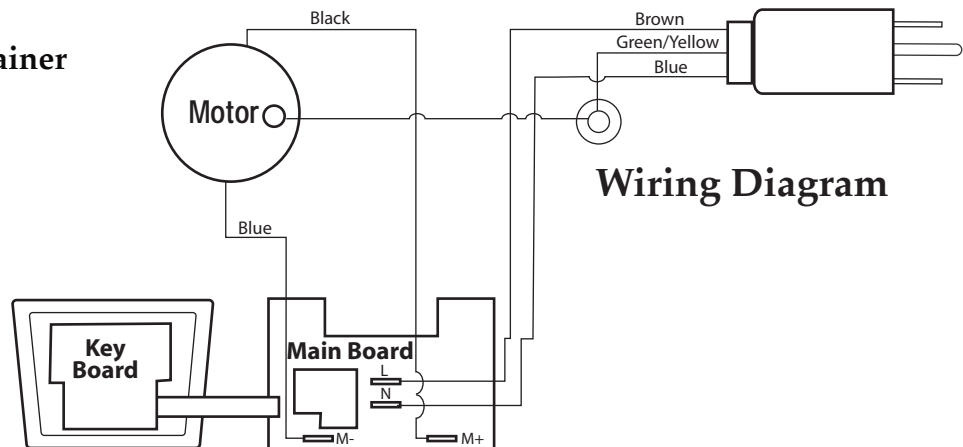
028672

NDG Name Plate / NDG1100XT



028595

Woody Label / MX1100XTWT



Wiring Diagram