

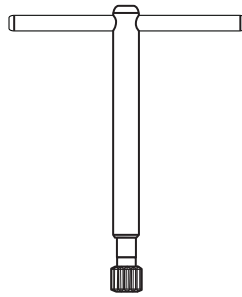
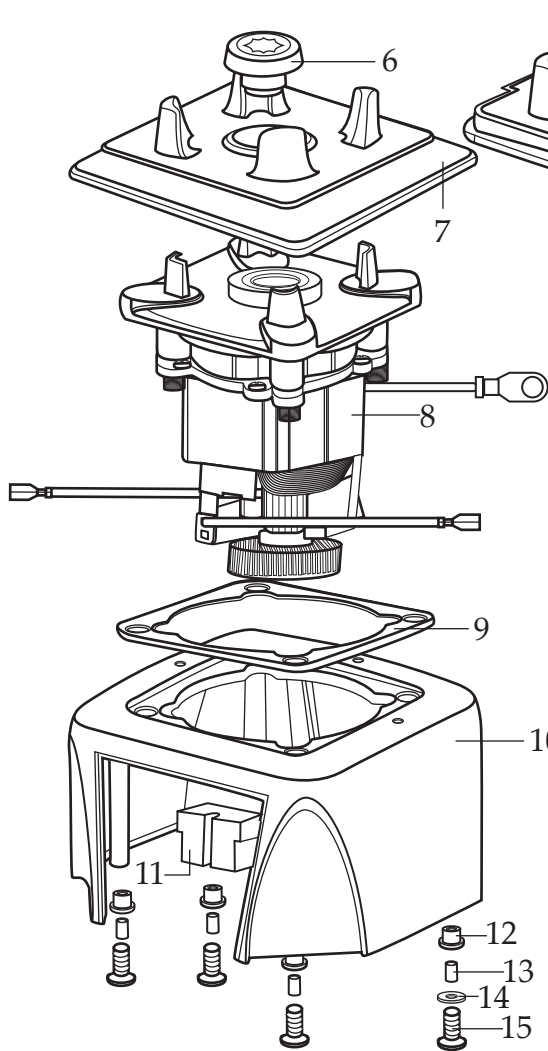
WARING
COMMERCIAL

MX1300XT / MX1500XT
64 oz. BPA-Free copolyester container

MX1300XTP / MX1500XTP
32-48 oz. BPA-Free copolyester container

MX1300XTS / MX1500XTS
64 oz. stainless steel container

MX1300XTWT
32-48 oz. BPA-Free copolyester container / Woody's
MX1500XT units come with Sound Enclosure



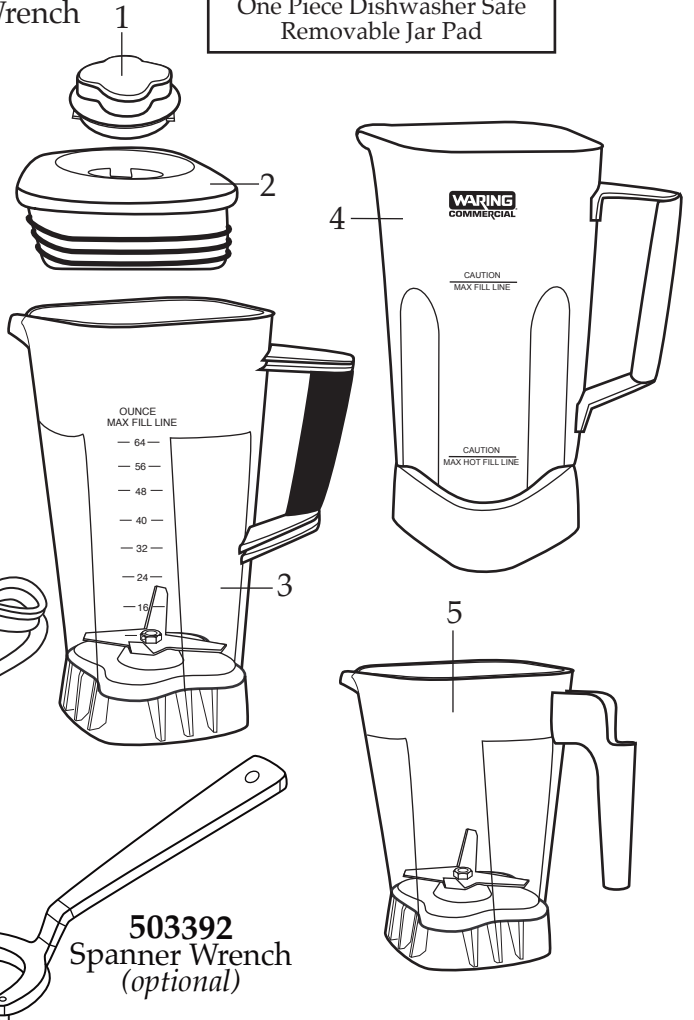
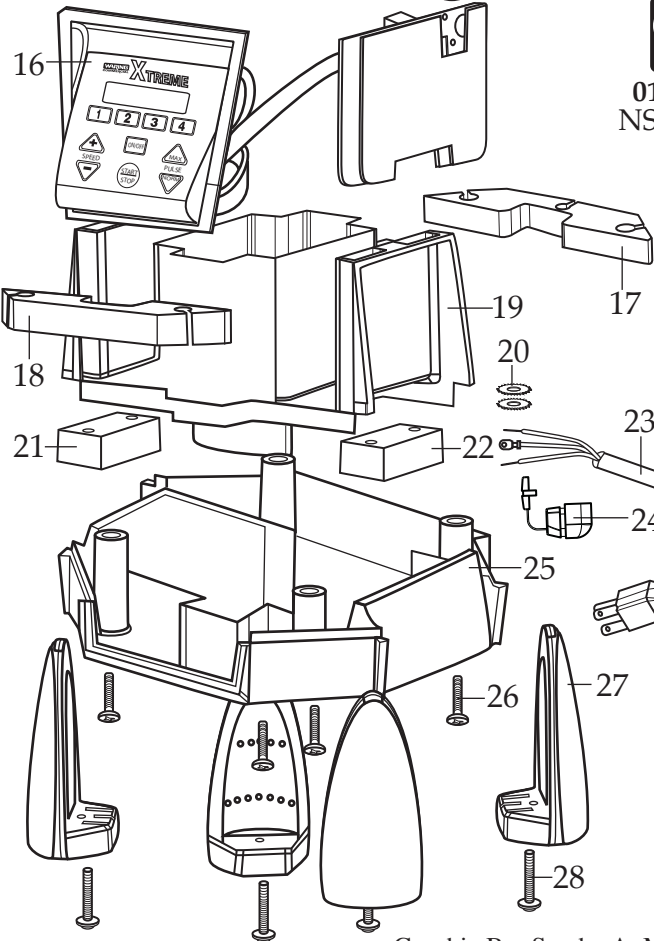
503351
MX Coupling Wrench
(optional)

Unit Information

Limited 3 Year Motor Warranty
Two Year Parts & Labor
60Hz - 13 Amps - 3.5 HP Motor
RPM's Maximum 30,000
Minimum 5,000
Height 21" - Weight 18 lbs.
Four Reprogrammable
One Touch Blending Stations
One Piece Dishwasher Safe
Removable Jar Pad



013304
NSF Seal



503392
Spanner Wrench
(optional)

Catalog

MX1300XT
 MX1500XT
 MX1300XTP
 MX1500XTP
 MX1300XTS
 MX1500XTS
 MX1300XTWT

Model

MX1300XT11
 MX1500XT12
 MX1300XTP
 MX1500XT22
 MX1300XT31
 MX1500XTS
 MX1300XTP



Illustration #	Part #	Description
1	026425-E	Jar Lid Cover
2	026424	Jar Lid
3	503347	Jar with Blending Assy. /64 oz. Eastman
4	503346	Jar with Blending Assy. /64 oz. stainless steel
5	503348	Jar with Blending Assy. /32-48 oz. Eastman
6	028538	Drive Clutch
7	026442	Jar Pad
7a	026443	Jar Pad /use with sound enclosure
8	028101	Motor
9	026437	Dampening Plate Gasket
10	028032-09	Top Housing /black
11	028541	Motor Foam 2 Req.'d
12	026439	Dampening Plate Bushing 4 Req.'d
13	026453	Dampening Plate Sleeve 4 Req.'d
14	026459	Washer
15	028929	Screw 4 Req.'d
	026455	Screw 4 Req.'d (older units)
	026459	Washer 4 Req.'d (older units)
16	028393	Control Panel
17	028248	Housing Foam Baffle /rear
18	028249	Housing Foam Baffle /front
19	028240	Motor Housing
20	002943	Washer 2 Req.'d
21	028247	Bottom Housing Foam Baffle
22	028542	Foam Baffle
23	026925	Cord Set
24	007556	Strain Relief
25	028241-09-x	Bottom Housing /black
26	012505	Screw 4 Req.'d
27	026430	Corner Post 4 Req.'d

Catalog

MX1300XT
 MX1500XT
 MX1300XTP
 MX1500XTP
 MX1300XTS
 MX1500XTS
 MX1300XTWT

Model

MX1300XT11
 MX1500XT12
 MX1300XTP
 MX1500XT22
 MX1300XT31
 MX1500XTS
 MX1300XTP

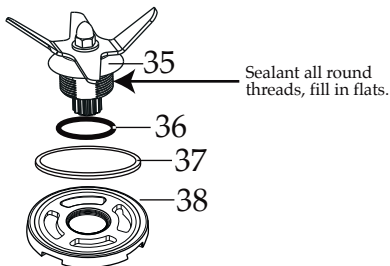
Waring Factory Service Center
 314 Ella T. Grasso Ave.
 Torrington, CT 06790
 Tele. 1-800-269-6640
 Fax 860-496-9017
 www.waringproducts.com

Illustration #	Part #	Description
28	028928 026459 012505	Screw 4 Req.'d Washer 4 Req.'d (older units) Screw 4 Req.'d (older units)
29	028250 026432	Inner Enclosure /32 oz. Inner Enclosure /64 oz.
30	028251 026433	Outer Enclosure /32 oz. Outer Enclosure /64 oz.
31	027447	O Ring 2 Req.'d
32	026461	Screw 3 Req.'d
33	026434	Sound Enclosure Handle
34	012505	Screw 2 Req.'d
35	503345	Blade Assy.
36	024271	O Ring
37	024268	Nut Gasket
38	029631	Bearing Holder Nut
39	026423-E	64 oz. Eastman Container
40	029003-E	32-48 oz. Eastman Container

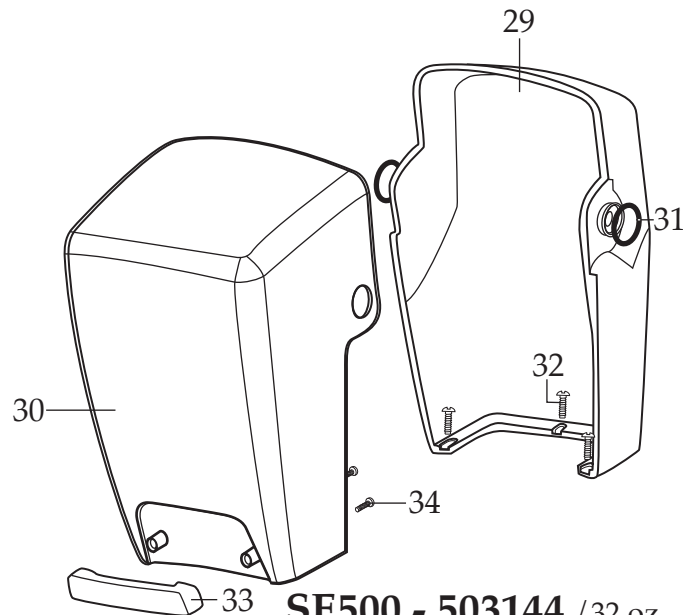
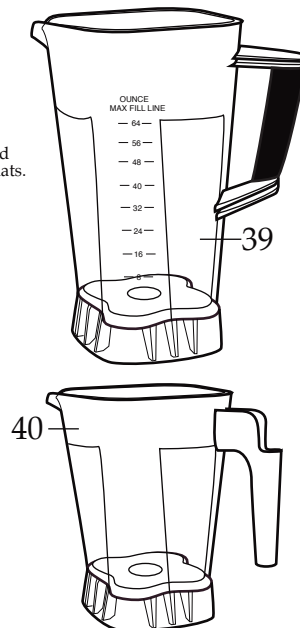
Notes for 503347 & 503348 :

Torque 100-125 in./lbs

Sealant all around the threads, fill in flats.
 Dow Corning Sealant RTV 733



031060
 Blending Assy. Kit



SE500 - 503144 /32 oz.
SE1000 - 502962 /64 oz.

503347 and 503348 - Eastman Containers

Catalog

Model

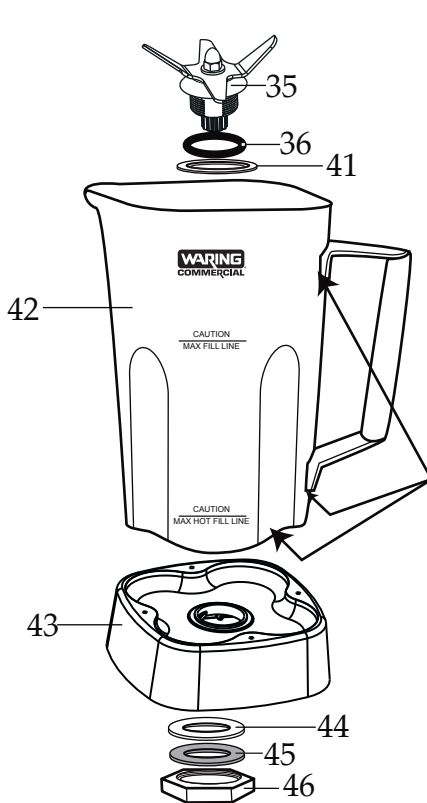
MX1300XT	MX1300XT11
MX1500XT	MX1500XT12
MX1300XTP	MX1300XTP
MX1500XTP	MX1500XT22
MX1300XTS	MX1300XT31
MX1500XTS	MX1500XTS
MX1300XTWT	MX1300XTP

Waring Factory Service Center
 314 Ella T. Grasso Ave.
 Torrington, CT 06790
 Tele. 1-800-269-6640

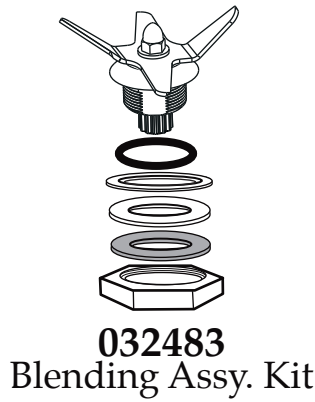
Fax 860-496-9017
 www.waringproducts.com

Illustration #	Part #	Description
----------------	--------	-------------

41	026798	Support Washer
42	026648	64 oz. Containter / stainless steel
43	026649	Container Support
44	026797	Bearing Holder Gasket
45	026796	Bearing Holder Washer
46	026795	SS Jar Bearing Holder Nut



Sealant applied all round these indicated areas.



028595
Woody Label/MX1300XTWT

503346 - Stainless Steel Container

Notes for 503346 :

Torque 100-125 in/lbs

Sealant applied all around indicated areas.
 Dow Corning Sealant RTV 733

Lubricant applied to O Ring
 Dow Corning 200 (R) Fluid

