

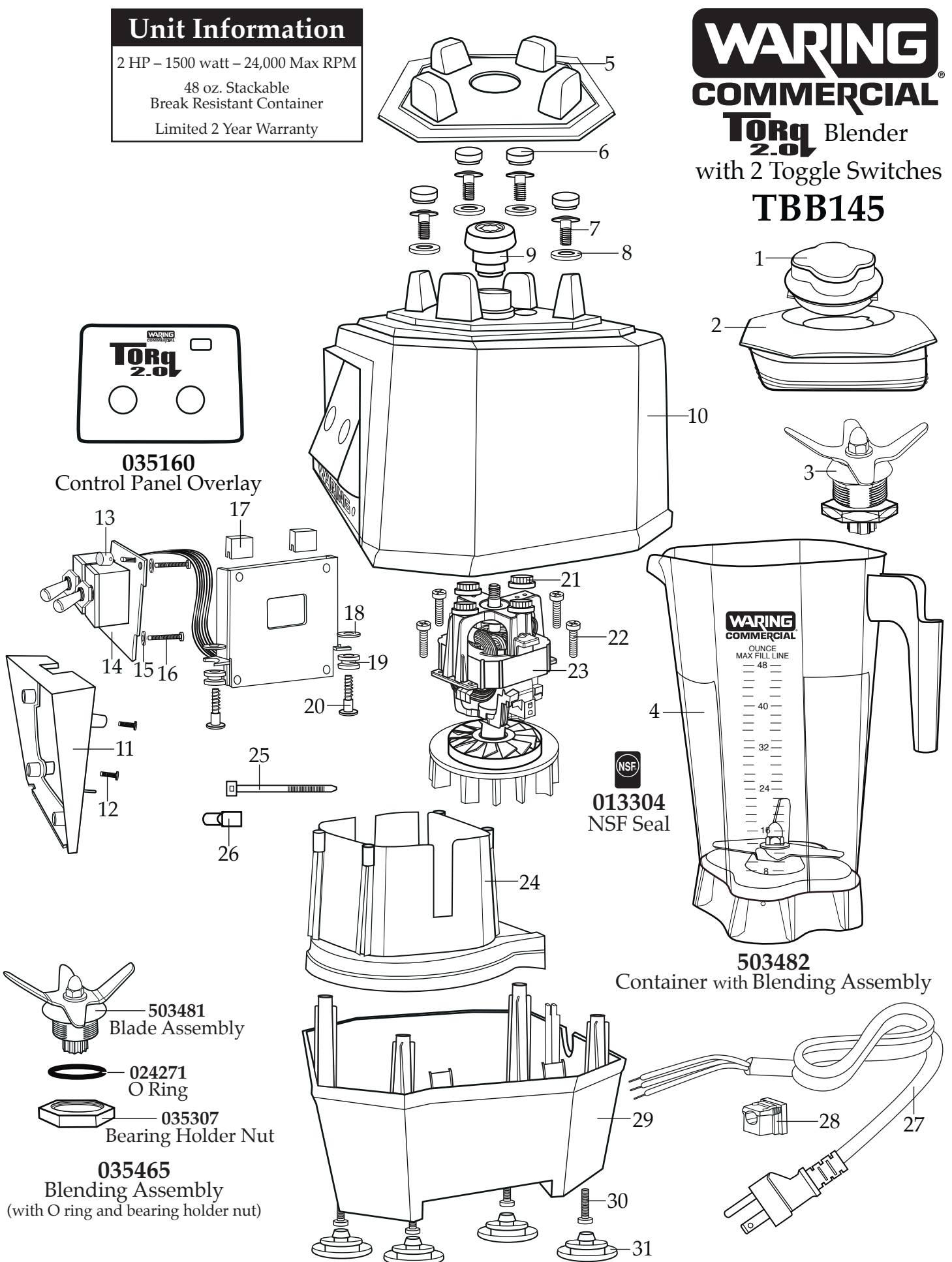
# Unit Information

2 HP – 1500 watt – 24,000 Max RPM  
 48 oz. Stackable  
 Break Resistant Container  
 Limited 2 Year Warranty

# WARING COMMERCIAL

## Torq 2.0 Blender with 2 Toggle Switches

### TBB145



**035160**  
 Control Panel Overlay

**013304**  
 NSF Seal

**503482**  
 Container with Blending Assembly

**503481**  
 Blade Assembly

**024271**  
 O Ring

**035307**  
 Bearing Holder Nut

**035465**  
 Blending Assembly  
 (with O ring and bearing holder nut)

Illustration #	Part #	Description
1	028769-E	Eastman Jar Lid Cover
2	035238-V	Vinyl Jar Lid
3	035465	Blending Assembly (with O ring and bearing holder nut)
4	035239	48 oz. Stackable Container ONLY
5	035091	Jar Pad
6	035085	Hole Plug (4 required)
7	034275	Sems (4 required)
8	034273	B Gasket (4 required)
9	035251	Drive Coupling
10	503460-145	Top Housing Assembly
11	035083	Control Housing Back Bezel
12	035090	Screw (2 required)
13	035253	LED Lens
14	035160	TBB145 Control Panel Assembly
15	035255	Washer (2 required)
16	035089	Screw (2 required)
17	034900	PCB Cushion (2 required)
18	013604	Washer (2 required)
19	034904	Rubber Pad (2 required)
20	034902	Sems (2 required)
21	034272	A Gasket (4 required)
22	034274	Screw (4 required)
23	034276	ECM Motor /KB500
24	503483	Motor Housing with Dampeners
25	013731	Cable Ties (6 required <i>on units after 8/16/2016</i> ) - (2 required)
26	012409	Small Crimp Connectors (2 required <i>on units after 8/16/2016</i> ) - (4 required)
	019123	Large Crimp Connector (2 required <i>on units after 8/16/2016</i> ) - (1 required)
27	035124	Cordset
28	033619	Strain Relief
29	035079	Bottom Housing
30	034274	Screw (4 required)
31	035088	Foot (4 required)