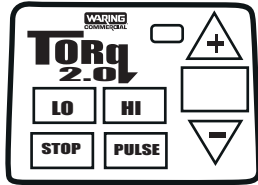


Unit Information

2 HP – 1500 watt – 24,000 Max RPM

48 oz. Stackable
Break Resistant Container

Limited 2 Year Warranty



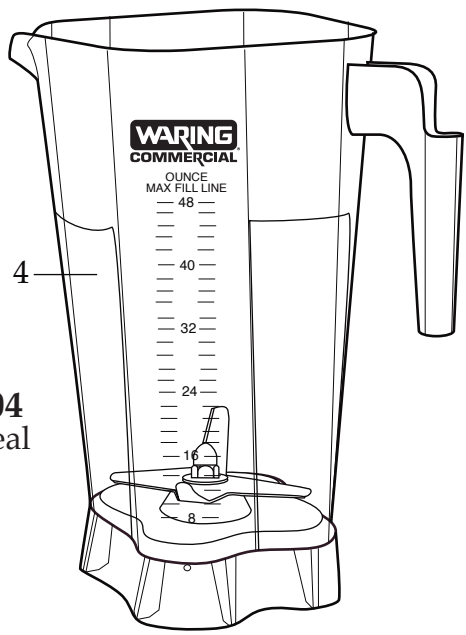
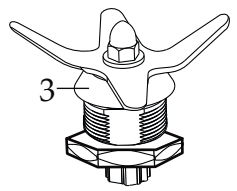
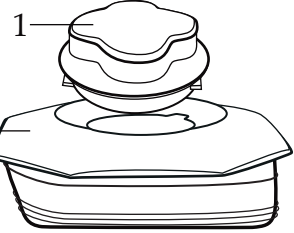
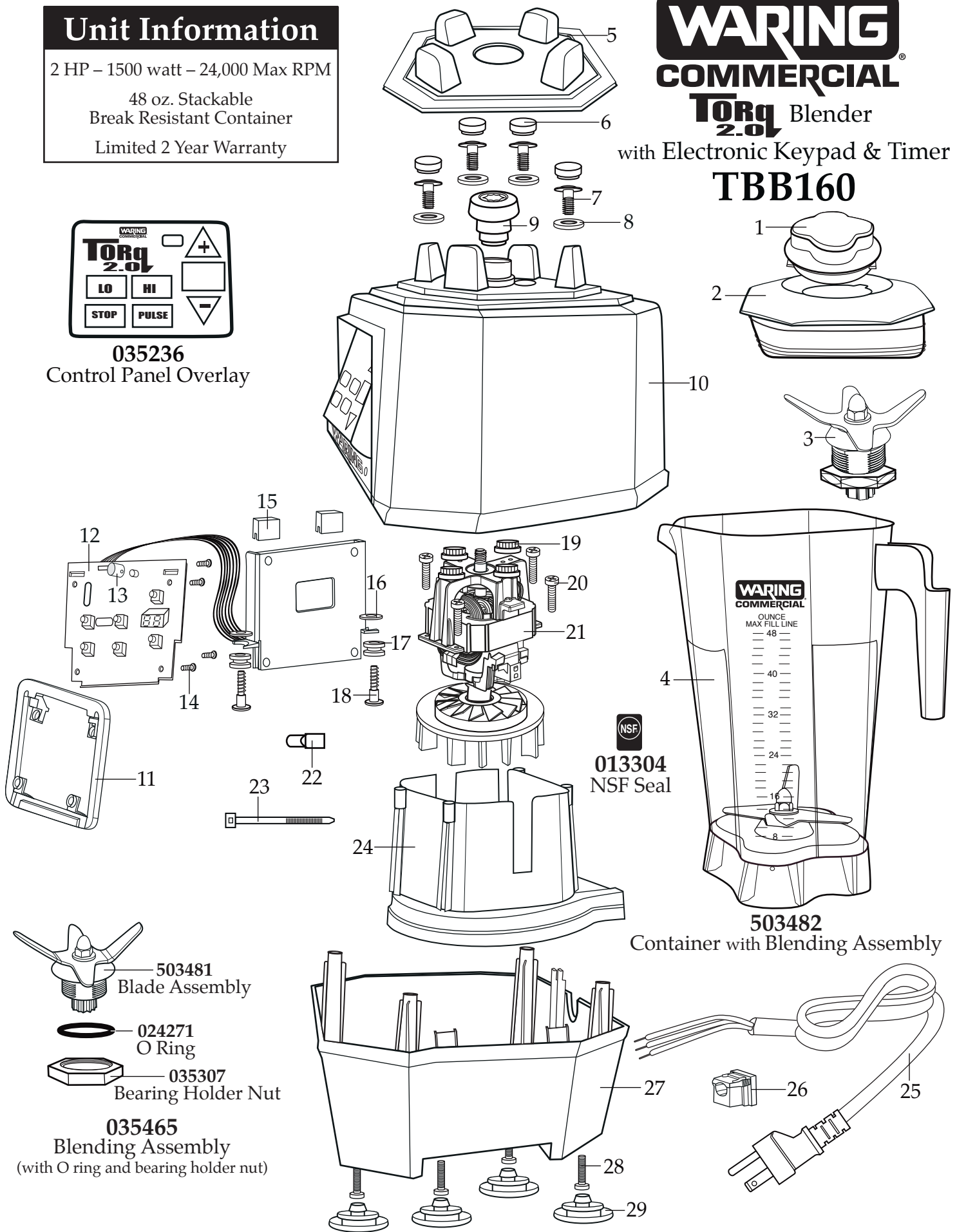
035236

Control Panel Overlay

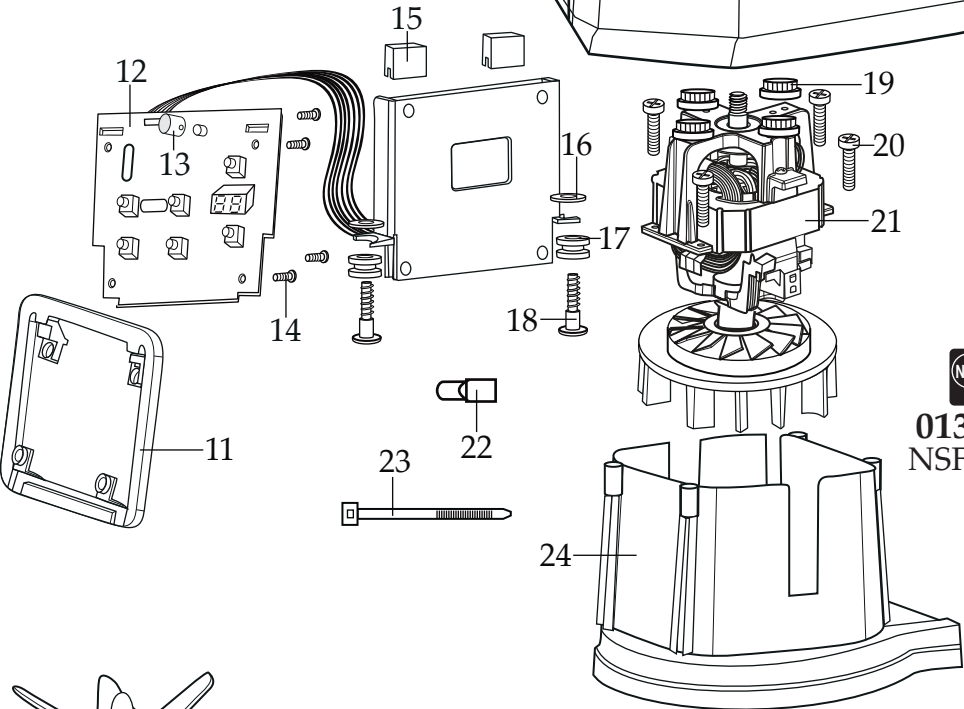
WARING COMMERCIAL TORq 2.0

Blender
with Electronic Keypad & Timer

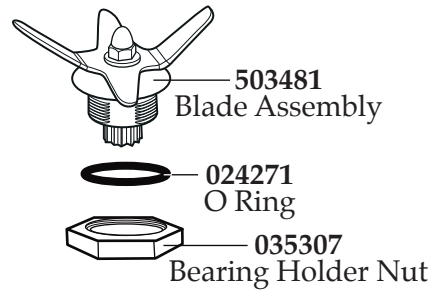
TBB160



NSF
013304
NSF Seal



503482
Container with Blending Assembly



035465
Blending Assembly
(with O ring and bearing holder nut)

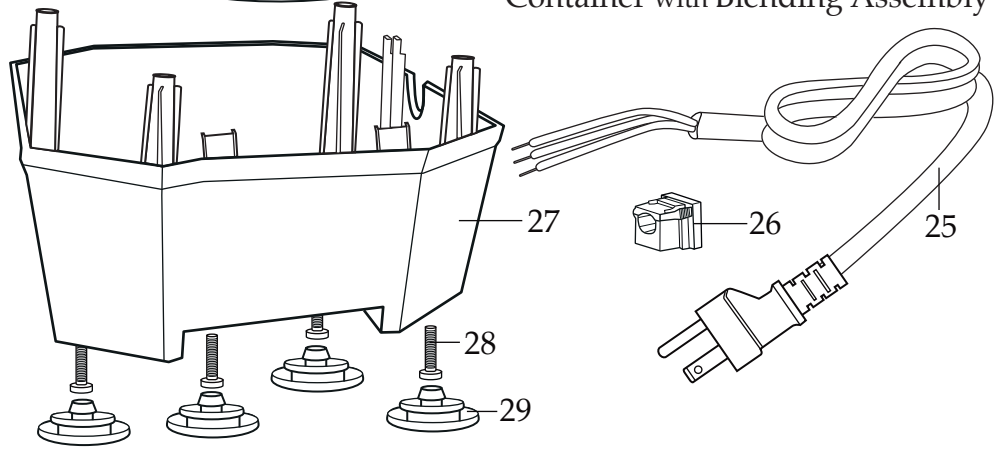


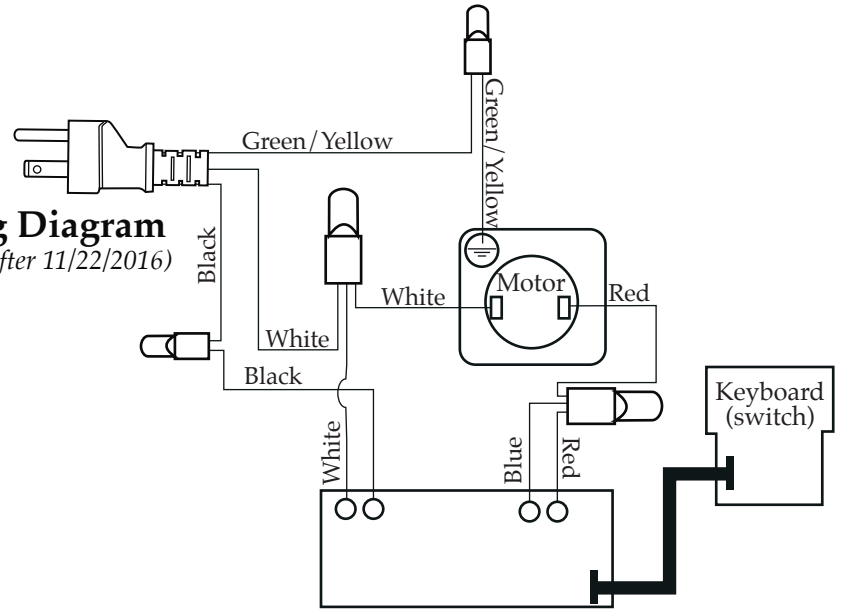


Illustration #	Part #	Description
1	028769-E	Eastman Jar Lid Cover
2	035238-V	Vinyl Jar Lid
3	035465	Blending Assembly (with O ring and bearing holder nut)
4	035239	48 oz. Stackable Container ONLY
5	035091	Jar Pad
6	035085	Hole Plug (4 required)
7	034275	Sems (4 required)
8	034273	B Gasket (4 required)
9	035251	Drive Coupling
10	503460-160	Top Housing Assembly
11	035237	Control Housing Back Bezel
12	035162	TBB160 Control Panel Assembly
13	035253	LED Lens
14	035090	Screw (4 required)
15	034900	PCB Cushion (2 required)
16	013604	Washer (2 required)
17	034904	Rubber Pad (2 required)
18	034902	Sems (2 required)
19	034272	A Gasket (4 required)
20	034274	Screw (4 required)
21	034276	ECM Motor /KB500
22	012409	Small Crimp Connectors (2 required <i>on units after 11/22/2016</i>) (4 required)
	019123	Large Crimp Connector (2 required <i>on units after 11/22/2016</i>) (1 required)
23	013731	Cable Ties (6 required <i>on units after 11/22/2016</i>) - (2 required)
24	503483	Motor Housing with Dampeners
25	035124 026925	Cordset (<i>on units after 4/25/2016</i>) Cordset
26	033619 007556	Strain Relief (<i>on units after 4/25/2016</i>) Strain Relief

Illustration #	Part #	Description
----------------	--------	-------------

27	035079	Bottom Housing
28	034274	Screw (4 required)
29	035088	Foot (4 required)

Wiring Diagram
 (on units after 11/22/2016)



Wiring Diagram

