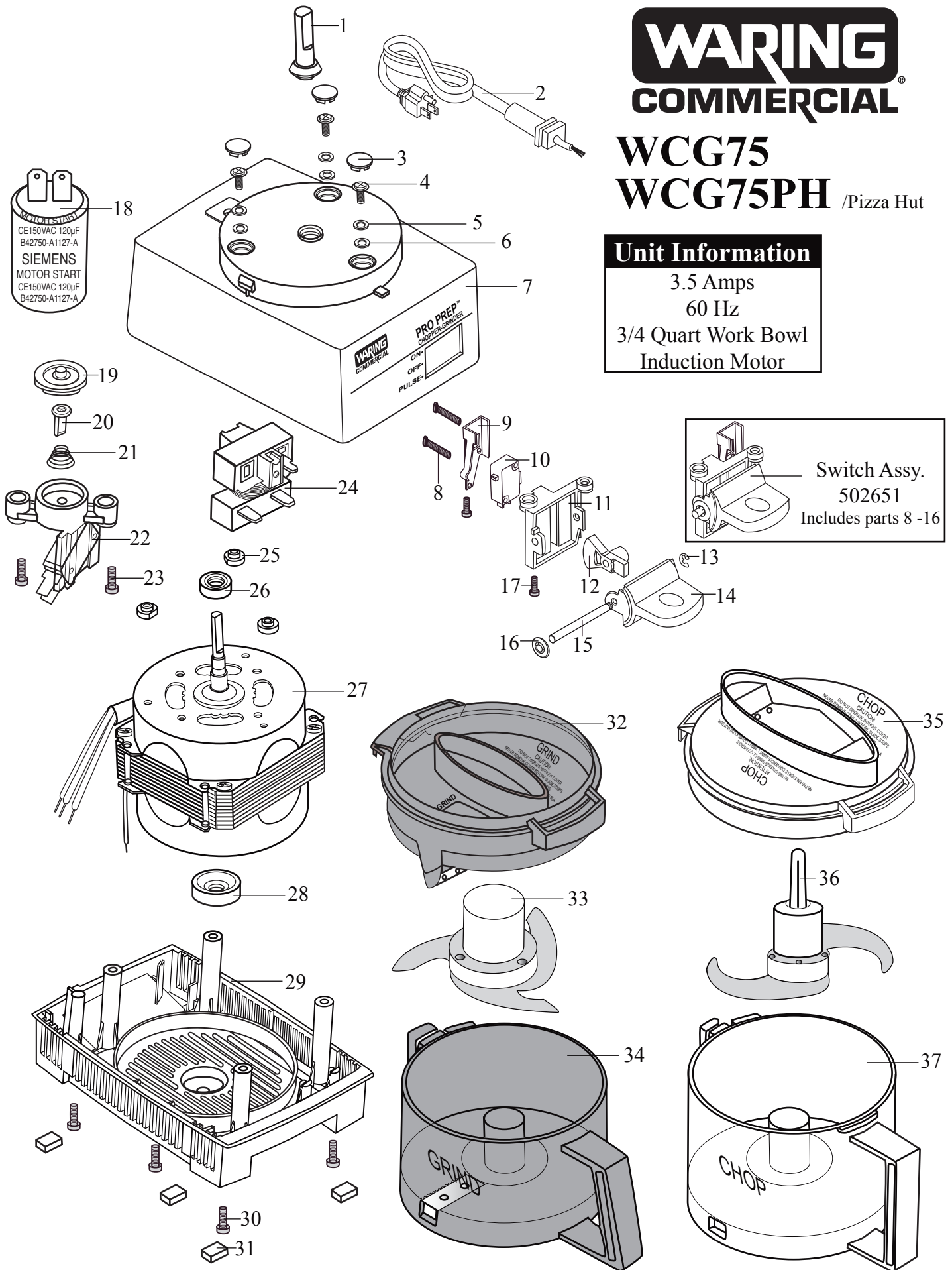


**WARING**  
**COMMERCIAL**

**WCG75**  
**WCG75PH** /Pizza Hut

**Unit Information**

3.5 Amps  
60 Hz  
3/4 Quart Work Bowl  
Induction Motor



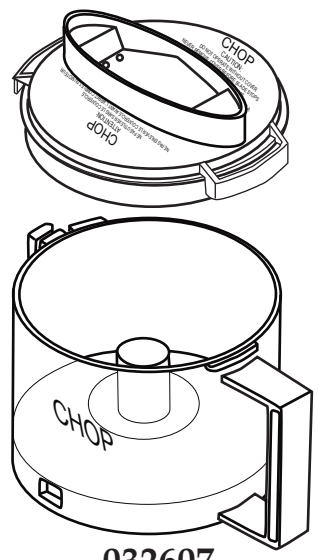
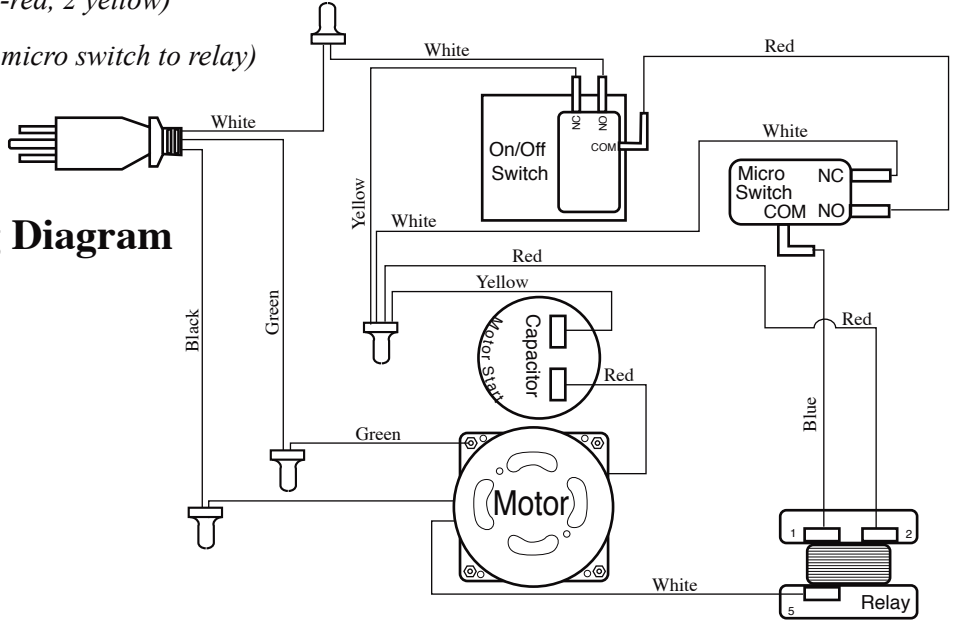
<b>Illustration #</b>	<b>Part #</b>	<b>Description</b>
1	024344	Motor Shaft Sheath
2	502551	Cord Assy.
3	024345	Motor Screw Cover 3 Req.'d
4	024346	Motor Screw 3 Req.'d
5	024347	Motor Washer 3 Req.'d
6	024348	Motor Fiber Washer 3 Req.'d
7	024349	Housing
8	024350	Screw 2 Req.'d
9	024351	Switch Bracket
10	024352	Main Switch
11	024353	Switch Plate
12	024354	Switch Actuator
13	024355	E-Ring
14	024356	Switch Button
15	024357	Switch Shaft
16	024358	Push Nut Washer
17	024359	Screw 2 Req.'d
18	024701	Capacitor
19	024702	Button Pad
20	024703	Actuating Lever
21	024704	Spring
22	502650	Micro Switch Assy.
23	024705	Screw 2 Req.'d
24	024706	Relay
25	024360	Motor Screw Plug 3 Req.'d
26	024361	Oil Seal
27	024362	Motor
28	024363	Lower Motor Pad
29	024364	Base Cover
30	024365	Screw 4 Req.'d
31	024366	Rubber Foot 4 Req.'d

<b>Illustration #</b>	<b>Part #</b>	<b>Description</b>
32	502552	Grinding Lid Assy.
33	502553	Grinding Blade Assy.
34	502554	Grinding Bowl Assy.
35	502555	Chopping Lid Assy.
36	502556	Chopping Blade Assy.
37	502557	Chopping Bowl Assy.

**Items Not Shown**

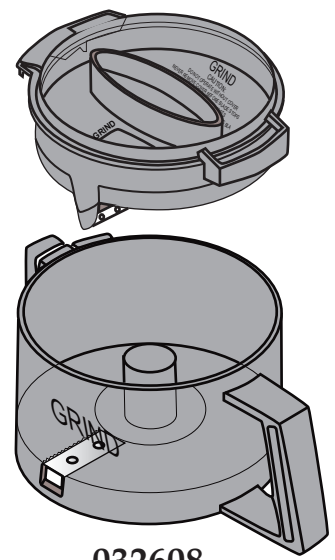
- 502649 - Lead Assy. (2-white, 2-red, 2 yellow)
- 024700 - Lead /blue (goes from micro switch to relay)

**Wiring Diagram**



**032607**

Chopping Bowl and Chopping Bowl Cover  
(WCG505TX)



**032608**

Grinding Bowl and Grinding Bowl Cover  
(WCG506TX)