



**Plug Configuration**

WCT800 or WCT810 

WCT800RC or WCT820  
WCT8206 

**WARING**  
**COMMERCIAL**

120 Volt Toasters

**WCT800**

Four 1 1/8" Toast Slots

**WCT800RC**

Four 1 1/8" Toast Slots

**WCT810**

Two 1 1/8" Toast Slots  
Two 1 5/8" Extra Wide Slots

**WCT820**

Four Bagel Slots

**WCT8206**

Four Bagel Slots with 6 Ft. Cord

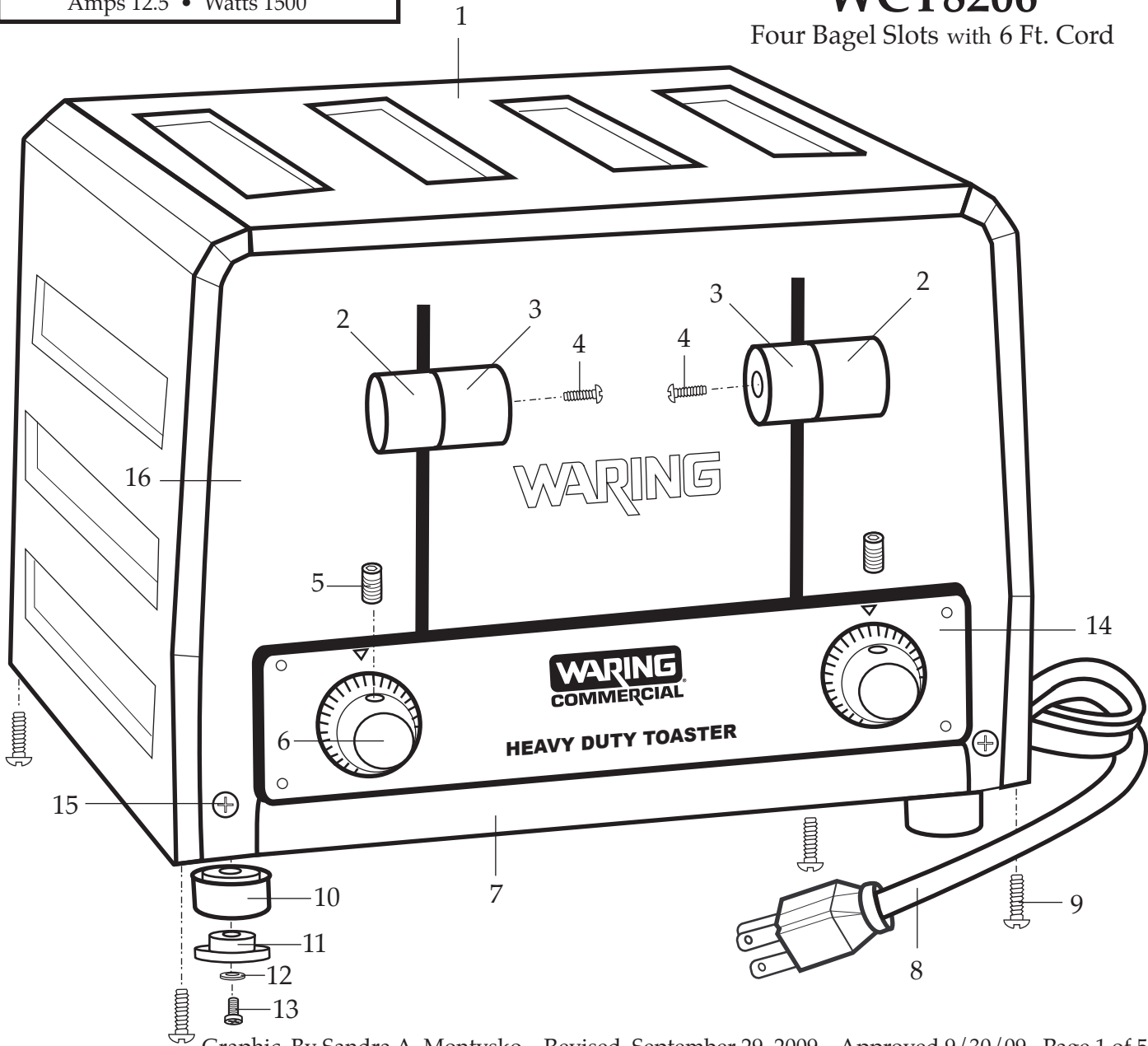
**Unit Information**

**WCT800**  
Amps 19 • Watts 2200

**WCT810**  
Amps 17 • Watts 2025

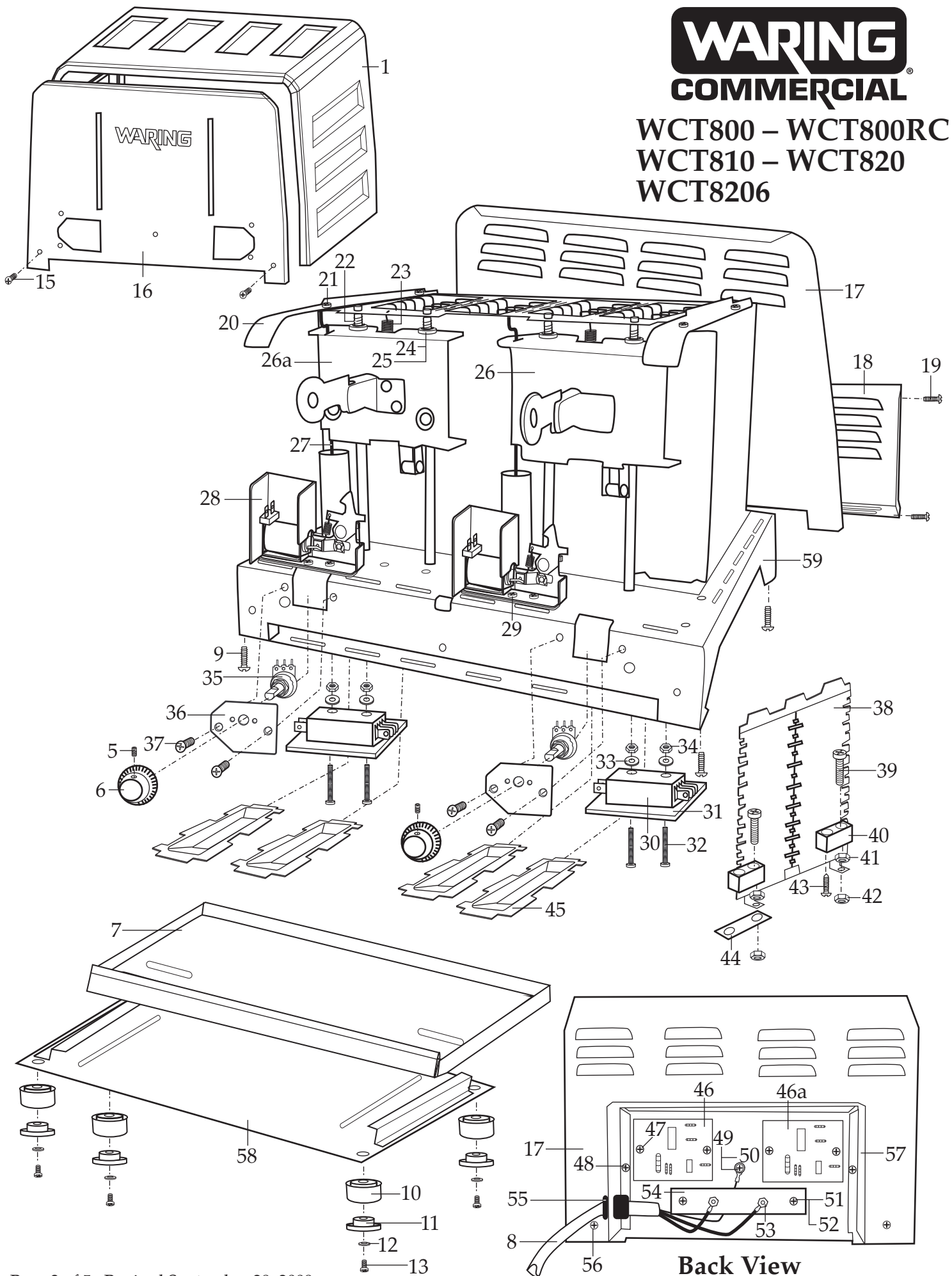
**WCT800RC**  
Amps 15 • Watts 1800

**WCT820 - WCT8206**  
Amps 12.5 • Watts 1500



# WARING COMMERCIAL

WCT800 – WCT800RC  
WCT810 – WCT820  
WCT8206



<b>Catalog#</b>	<b>Model</b>
WCT800	Same as Catalog
WCT800RC	Same as Catalog
WCT810	Same as Catalog
WCT820	Same as Catalog
WCT8206	Same as Catalog



<b>Illustration #</b>	<b>Part #</b>	<b>Description</b>
1	027219 027169 029825	Top Cover Plate WCT800, WCT800RC Top Cover Plate WCT810 Top Cover Plate WCT820, WCT8206
2	027170	Push Knob (flat outer center) 2 Req.'d
3	027171	Push Knob (screw hole in outer center) 2 Req.'d
4	027172	Screw 2 Req.'d
5	027173	Set Screw 2 Req.'d
6	027174	Browning Control Knob
7	027175	Crumb Tray
8	027176 027941 029799	Cord Set /WCT800, WCT810, WCT820 Cord Set /WCT800RC Cord Set /WCT8206
9	027177	Screw 4 Req.'d
10	027178	Foot 4 Req.'d
11	027179	Rubber Foot 4 Req.'d
12	027180	Washer 4 Req.'d
13	027181	Screw 4 Req.'d
14	502939	Front Panel Assy.
15	027177	Screw 2 Req.'d
16	027182	Front Cover Plate
17	027183	Back Cover Plate
18	027184	Power Box Cover
19	027177	Screw 4 Req.'d
20	027185	Housing Support 2 Req.'d
21	027186	Screw 4 Req.'d
22	027187	Compression Wire Spring 4 Req.'d
23	027188	Moving Bracket Spring 2 Req.'d
24	027189	Bracket Bushing /teflon 8 Req.'d
25	027190	C Ring 4 Req.'d
26	502940 502940	Moving Bracket Assy. 2 Req.'d /WCT800, WCT800RC Moving Bracket Assy. 1 Req.'d /WCT810

<b>Catalog#</b>	<b>Model</b>
WCT800	Same as Catalog
WCT800RC	Same as Catalog
WCT810	Same as Catalog
WCT820	Same as Catalog
WCT8206	Same as Catalog



<b>Illustration #</b>	<b>Part #</b>	<b>Description</b>
26a	502941	Moving Bracket Assy. 1 Req.'d /WCT810
	502941	Moving Bracket Assy. 2 Req.'d /WCT820, WCT8206
27	027191	Damper Cylinder Rod 2 Req.'d
28	027192	Locking Mechanism
29	027193	Screw 4 Req.'d
30	027194	Switch 2 Req.'d
31	027223	Insulator 2 Req.'d
32	027195	Screw 4 Req.'d
33	027196	Washer 4 Req.'d
34	027197	Hex Nut 4 Req.'d
35	027198	Rheostat 2 Req.'d
36	027199	Insulated Bracket Plate 2 Req.'d
37	027200	Screw 4 Req.'d
38	027201	Elements 8 Req.'d /WCT800
	027901	Elements 8 Req.'d /WCT800RC
	027221	Elements 6 Req.'d /WCT810
	029826	Elements 2 Req.'d /WCT820, WCT8206
39	027202	Screw 16 Req.'d
40	027203	Insulator Bracket /ceramic 16 Req.'d
41	027204	Hex Nut 16 Req.'d
42	027205	Hex Nut 16 Req.'d
43	027206	Screw 16 Req.'d
44	027207	Jumper Bracket
45	027947	Baffle /standard
	027946	Baffle /wide slot
46	027208	PC Board 2 Req.'d /WCT800 (older units)
	027942	PC Board 2 Req.'d /WCT800RC
	027291	PC Board toast side /WCT810 (older units)
46a	027290	PC Board bagel side /WCT810 (older units)
	027290	PC Board 2 Req.'d /WCT820, WCT8206
47	027209	Screw 4 Req.'d
48	027210	Screw 2 Req.'d

<b>Catalog#</b>	<b>Model</b>
WCT800	Same as Catalog
WCT800RC	Same as Catalog
WCT810	Same as Catalog
WCT820	Same as Catalog
WCT8206	Same as Catalog

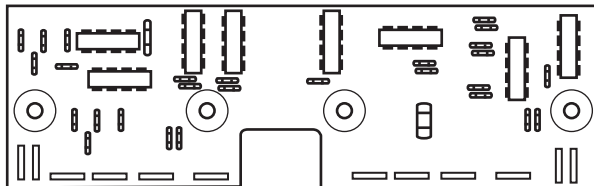


<b>Illustration #</b>	<b>Part #</b>	<b>Description</b>
49	027211	Lock Washer /ground
50	027212	Screw-green /ground
51	027213	Screw 2 Req.'d
52	027214	Power PCB Holder 2 Req.'d
53	027215	Hex Nut 4 Req.'d
54	027216	Power Terminal Board
55	027217	Strain Relief /WCT800
56	027177	Screw 2 Req.'d
57	027218	Power Box Body
58	027225	Bottom Cover
59	502944	Toaster Chassis Assembly for WCT800
	503026	Toaster Chassis Assembly for WCT800RC
	502945	Toaster Chassis Assembly for WCT810
	503279	Toaster Chassis Assembly for WCT820, WCT8206

### Items Not Shown

- 027214 - Main PCB Holder 4 Req.'d /pc board
- 027222 - Screw 5 Req.'d / front panel assy.

### Current Production



- 030240 - PC Board /WCT800
- 030239 - PC Board /WCT810