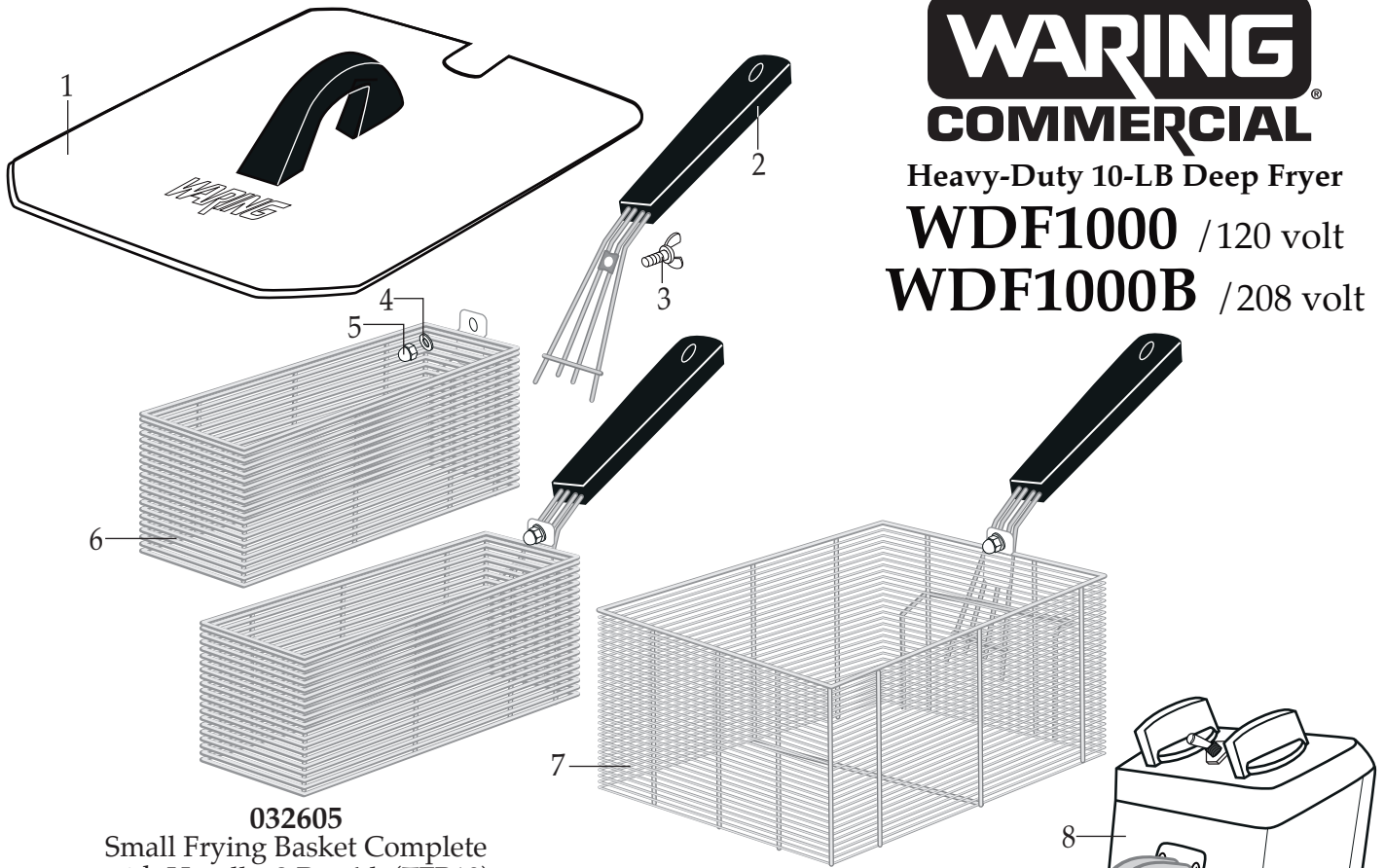


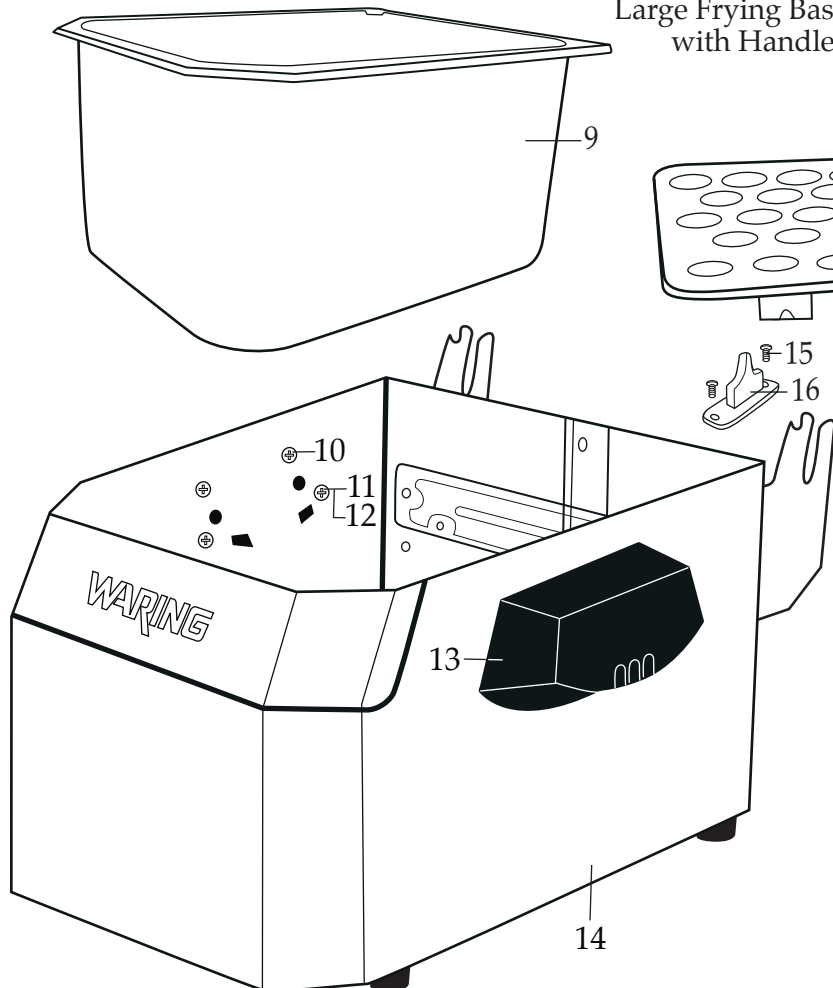
# WARING COMMERCIAL®



Heavy-Duty 10-LB Deep Fryer  
**WDF1000** / 120 volt  
**WDF1000B** / 208 volt



**032605**  
 Small Frying Basket Complete  
 with Handle 2 Req.'d (TFB10)

**032601**  
 Large Frying Basket Complete  
 with Handle (LFB10)



Unit Information	
1800 watts - WDF1000	
2700 watts - WDF1000B	
Temperature Control up to 390° F	
30 Minute Timer	
3 Baskets – 1 large - 2 small	
 WDF1000	 WDF1000B

## Catalog/Model

WDF1000  
WDF1000B



<b>Illustration#</b>	<b>Part#</b>	<b>Description</b>
1	030308	Night Cover
2	030302	Basket Handle 3 Req.'d
3	030305	Wing Nut Screw / 1 per handle
4	030303	Washer / 1 per handle
5	030304	Cap Nut / 1 per handle
6	030300	Basket-ONLY / small 2 Req.'d
7	030301	Basket-ONLY / large
8	030306 030307	Heating Element-WDF1000 /with heat diffuser and heater stand Heating Element-WDF1000B /with heat diffuser and heater stand
9	030309	Oil Container
10	030312	Screw 2 Req.'d (2 per body handle)
11	030314	Washer 2 Req.'d (2 per body handle)
12	030313	Screw 2 Req.'d (2 per body handle)
13	030311	Body Handle 2 Req.'d
14	030310	Body Assembly / with handles and feet
15	030439	Screw 2 Req.'d
16	030438	Safety Switch Acuator