

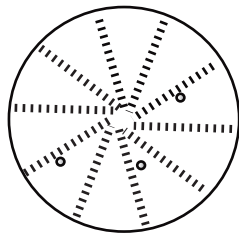
WARING COMMERCIAL

2.5-Quart Sealed Batch Bowl
Food Processor

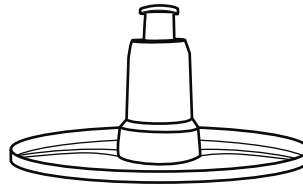
WFP11S

Unit Information

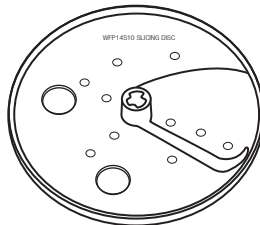
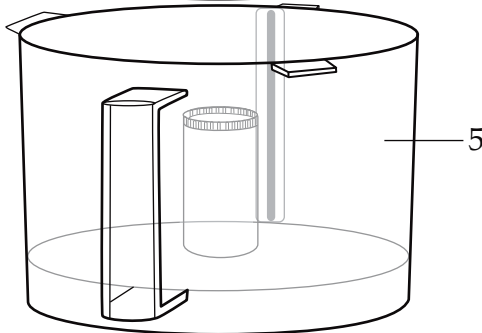
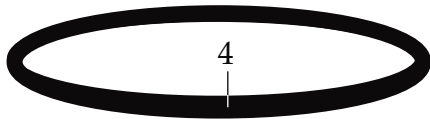
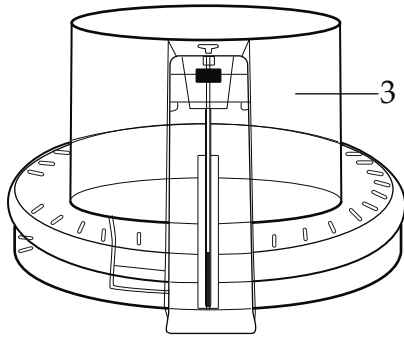
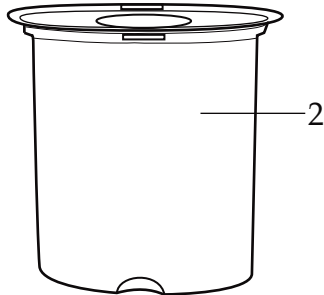
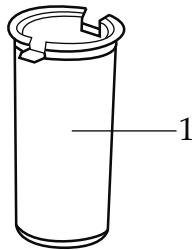
5 Amps MAX
 ¾ HP Motor
 5 Yr Motor - 2 Yr Parts & Labor Warranty



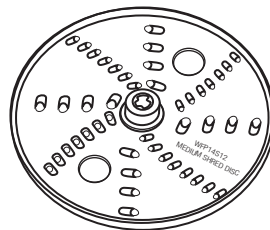
032280
2mm - 5/64"
Fine Grating Disc



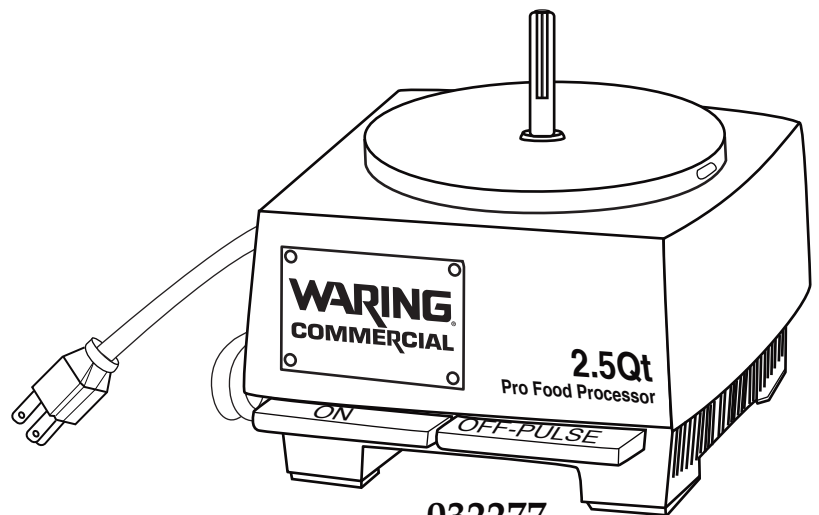
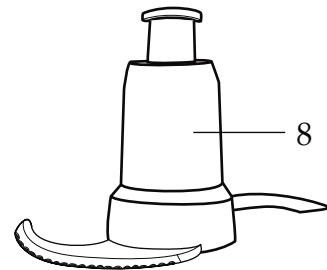
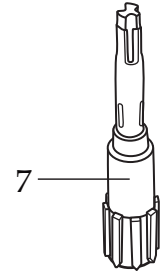
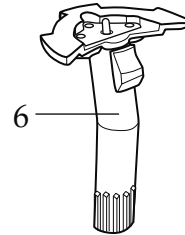
032417
Sealed
Whipping Disc



032793
Adjustable Slicing Disc

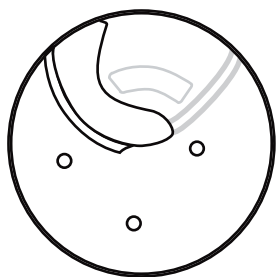


032794
Reversible Shredding Disc



032277
Base Unit Assy.

Illustration #	Part #	Description
1	032221	Small Pusher
2	032220	Large Pusher
3	032791 032281	Bowl Cover / with bump Bowl Cover / no bump (older units)
4	032282	Cover Seal
5	032283	Bowl
6	032284	Disc Stem
7	032792	Disc Stem / adjustable
8	032285	Serrated S Blade



Slicing Disc

032524

1/4" (6mm)

032278

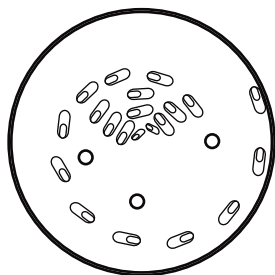
5/32" (4mm)

032522

1/8" (3mm)

032288

5/64" (2mm)



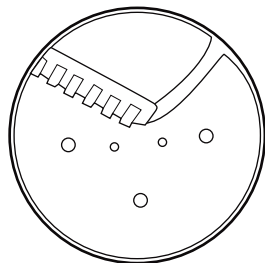
Shredding Disc

032279

5/32" (4mm)

032520

5/64" (2mm)



French-Fry Disc

032531

1/4" x 1/4" (6 x 6mm)

Julienne Disc

032525

1/8" x 1/8" (3 x 3mm)

Internal Components

