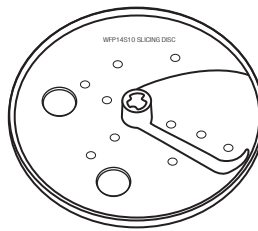
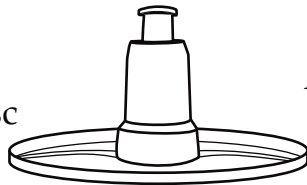


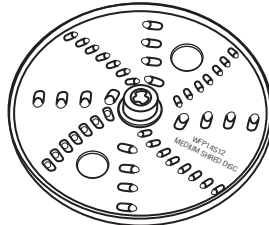
032218
2mm - 5/64"
Fine Grating Disc



032523
Adjustable Slicing Disc



032583
Sealed Whipping Disc



032527
Reversible Shredding Disc

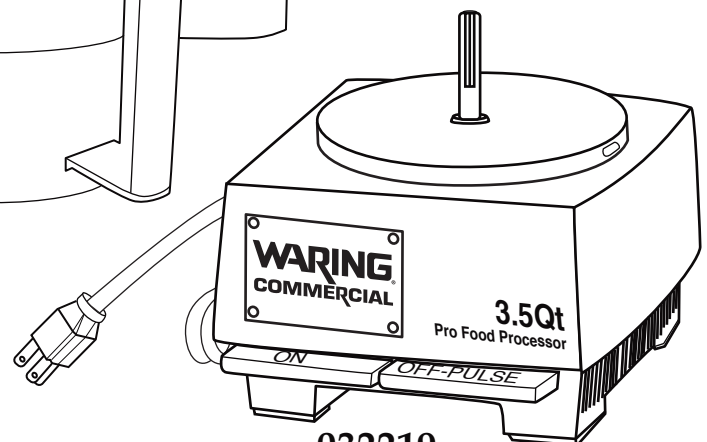
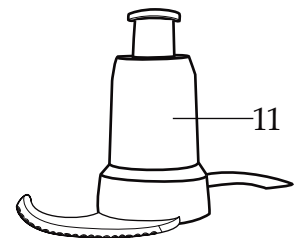
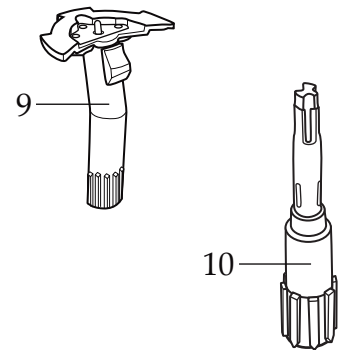
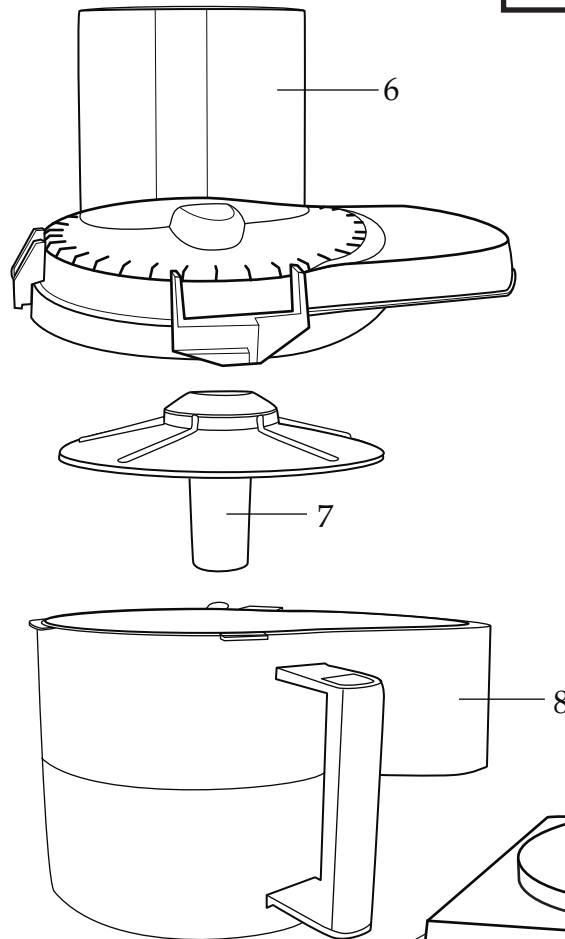
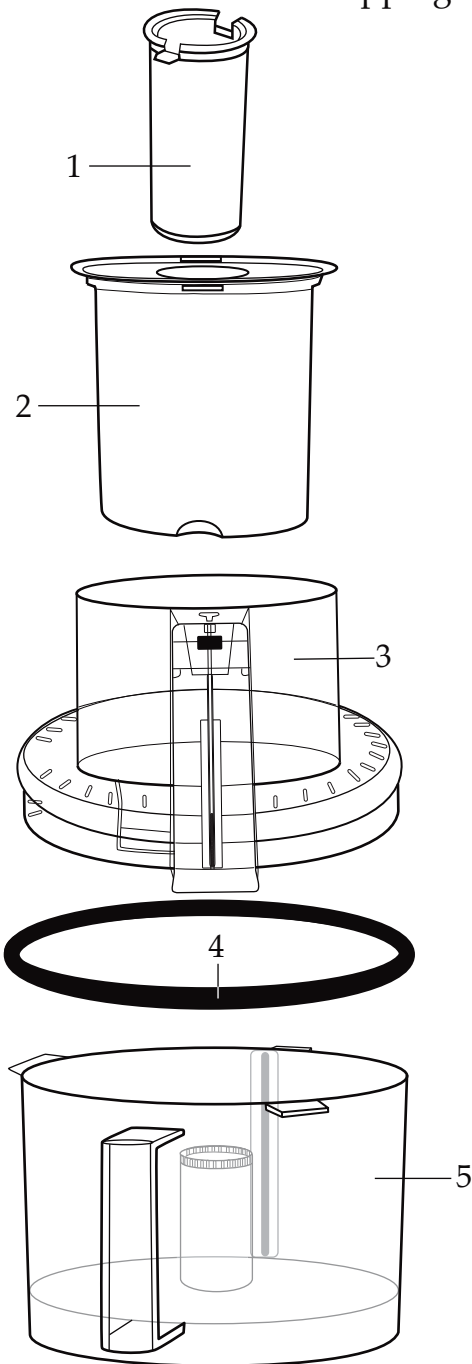
WARING
COMMERCIAL

WFP14S
3.5 Qt Sealed Batch Bowl Food Processor

WFP14SC
3.5 Qt Sealed Batch Bowl and
Continuous Feed Food Processor

Unit Information

6 Amps MAX
3.5 Quart Bowl
1 HP Motor
5 Yr Motor - 2 Yr Parts & Labor Warranty



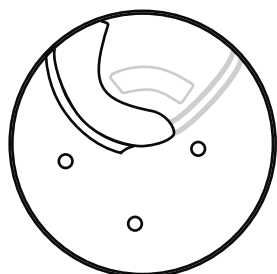
032219
Base Unit Assy.

Catalog/Model

WFP14S
WFP14SC

Waring Factory Service Center
314 Ella T. Grasso Ave.
Torrington, CT 06790
Tele. 1-800-269-6640
Fax 860-496-9017
www.waringproducts.com

Illustration #	Part #	Description
1	032221	Small Pusher
2	032220	Large Pusher
3	032222	Bowl Cover
4	030562	Cover Seal
5	030563	Bowl
6	032223	Continuous Feed Cover
7	030566	Slinger
8	030565	Continuous Feed Bowl
9	030567	Disc Stem
10	032521	Disc Stem / adjustable
10	030568	Serrated S Blade



Slicing Disc

032238

5/64" (2mm)

032216

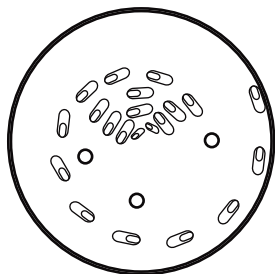
5/32" (4mm)

032529

1/4" (6mm)

032530

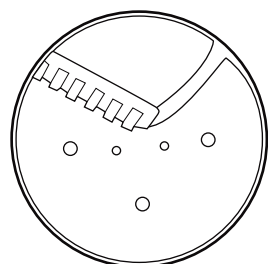
5/16" (8mm)



Shredding Disc

032217

5/32" (4mm)



French-Fry Disc

032531

1/4" x 1/4" (6 x 6mm)

Internal Components

