

WARING COMMERCIAL®

033648
Brush

Unit Information

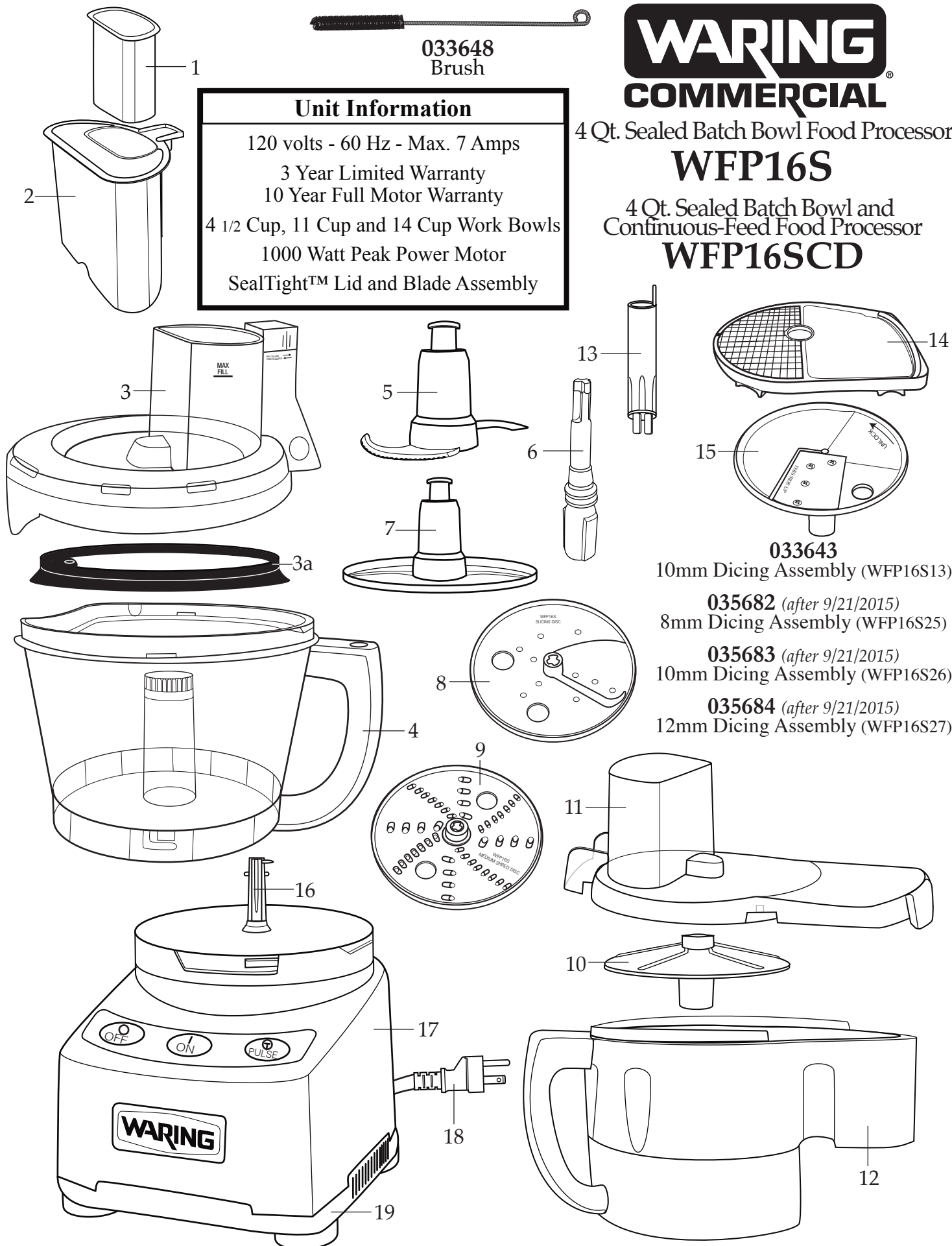
120 volts - 60 Hz - Max. 7 Amps
 3 Year Limited Warranty
 10 Year Full Motor Warranty
 4 1/2 Cup, 11 Cup and 14 Cup Work Bowls
 1000 Watt Peak Power Motor
 SealTight™ Lid and Blade Assembly

4 Qt. Sealed Batch Bowl Food Processor

WFP16S

4 Qt. Sealed Batch Bowl and
Continuous-Feed Food Processor

WFP16SCD



033643

10mm Dicing Assembly (WFP16S13)

035682 (after 9/21/2015)

8mm Dicing Assembly (WFP16S25)

035683 (after 9/21/2015)

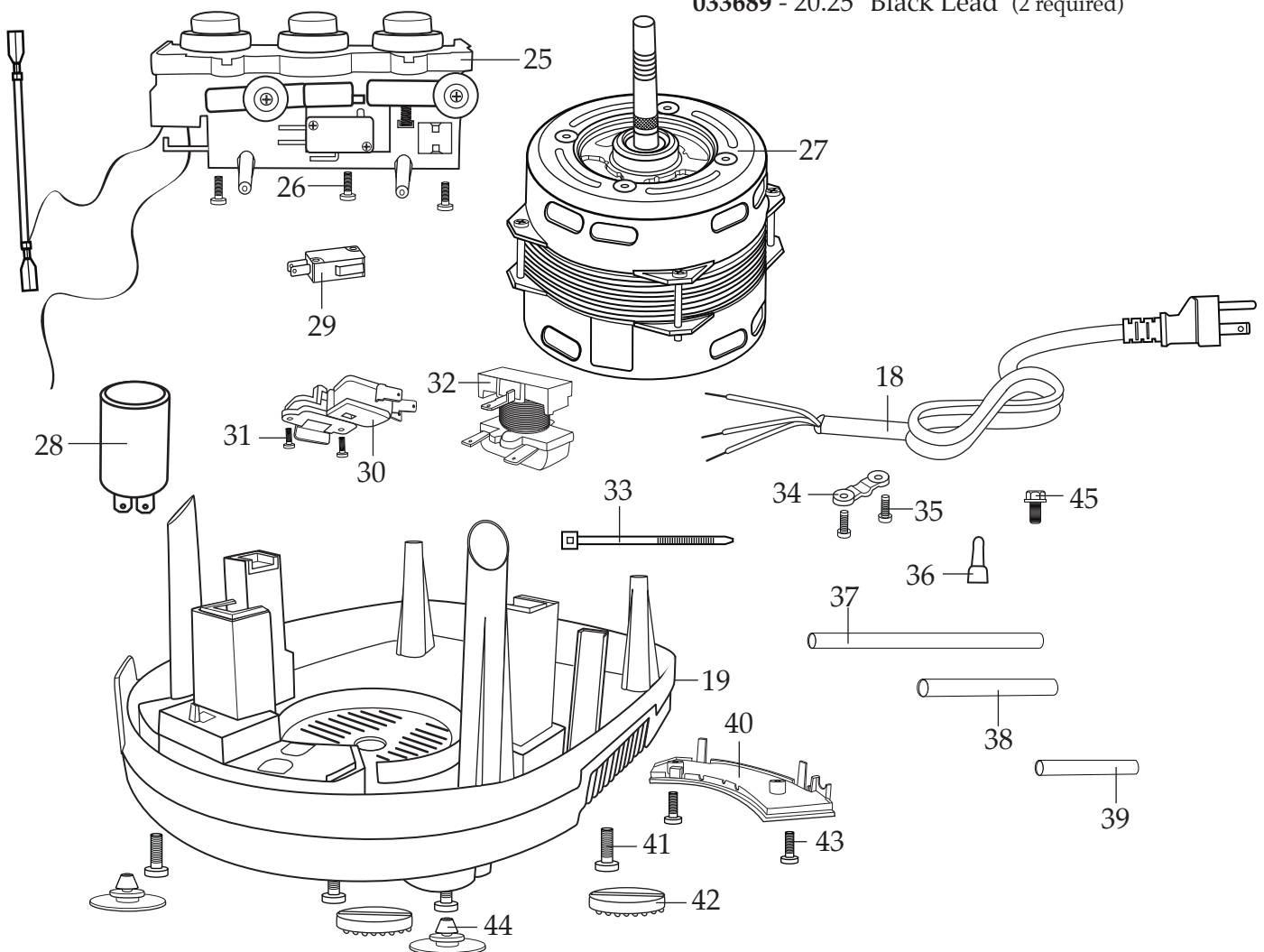
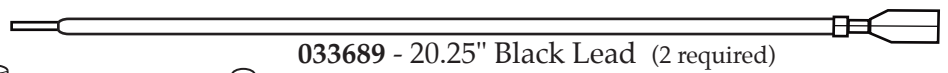
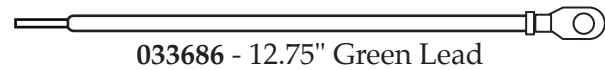
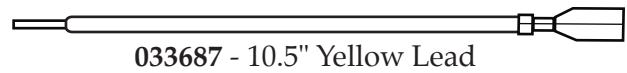
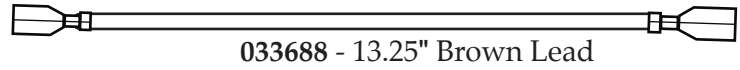
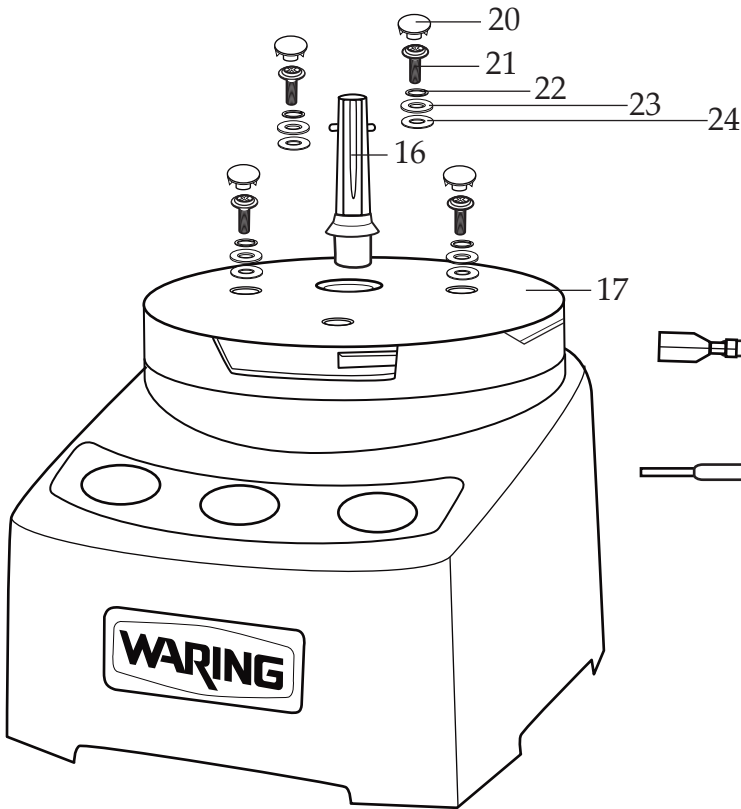
10mm Dicing Assembly (WFP16S26)

035684 (after 9/21/2015)

12mm Dicing Assembly (WFP16S27)

WARING
COMMERCIAL

WFP16S
WFP16SCD



Catalog/Model

WFP16S
WFP16SCD



Illustration #	Part #	Description
1	033637	Small Pusher
2	033692	Large Pusher
3	033693	Batch Bowl Cover
3a	035672	Lid Gasket <i>(after 9/21/2015)</i>
4	033632	Batch Bowl
5	033631	S Blade (comes with WFP16S and WFG16SCD)
6	033639	Disc Stem
7	033641	Sealed Whipping Disc (comes with WFP16S and WFP16SCD)
8	033640	Adjustable Slicing Disc (comes with WFP16S and WFP16SCD)
9	033642	Reversible Shredding Disc (comes with WFP16S and WFP16SCD)
10	033638	Slinger
11	034610	Continuous-Feed Cover
12	034609	Continuous-Feed Chute
13	027166	Dicing Cleaning Tool
14	035674	8mm - 5/16" Dicing Grid ONLY <i>(after 9/21/2015)</i>
	035677	10mm - 3/8" Dicing Grid ONLY <i>(after 9/21/2015 comes with WFP16SCD)</i>
	033649	10mm - 3/8" Dicing Grid ONLY (comes with WFP16SCD)
	035680	12mm - 15/32" Dicing Grid ONLY <i>(after 9/21/2015)</i>
15	035673	8mm - 5/16" Slicing Disc ONLY <i>(after 9/21/2015)</i>
	035676	10mm - 3/8" Slicing Disc ONLY <i>(after 9/21/2015 comes with WFP16SCD)</i>
	033650	10mm - 3/8" Slicing Disc ONLY (comes with WFP16SCD)
	035679	12mm - 15/32" Slicing Disc ONLY <i>(after 9/21/2015)</i>
16	033658	Motor Sheath with Shaft Cover
17	033673	Top Housing Assembly
18	024782	Cord
19	033651	Bottom Housing with Rubber Mounts
20	033674	Hole Plugs (4 required)
21	033676	Sems (4 required)
22	033677	Spring Washer (4 required)
23	024757	Washer (4 required)
24	024759	Washer (4 required)
25	033684	Main Switch Holder Assembly w/Switch (033659)
26	033660	Screw (3 required)

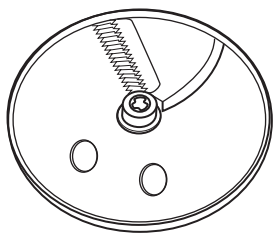
Catalog/Model

WFP16S
WFP16SCD

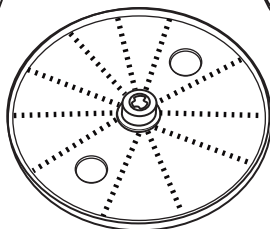
Waring Factory Service Center
314 Ella T. Grasso Ave.
Torrington, CT 06790
Tele. 1-800-269-6640

COMMERCIAL
Fax 860-496-9017
www.waringcommercialproducts.com

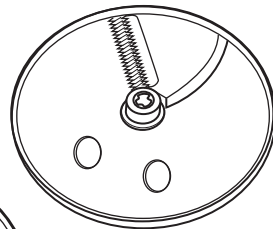
Illustration #	Part #	Description
27	033657	Motor with Fan
28	033661	Start Capacitor
29	033659	Switch (for batch bowl)
30	033665	Switch with Holder (for continuous-feed bowl)
31	033660	Screw (2 required)
32	033662	Relay
33	013731	Wire Ties (7 required)
34	033666	Cord Clamp
35	033654	Screw (2 required)
36	012409	Crimp Connector (4 required)
37	033678	5.5" Rubber Sleeve (2 required)
38	033690	3.125" Rubber Sleeve (2 required)
39	033691	2" Rubber Sleeve
40	033652	Lower Housing Cover
41	033653	Screw (4 required)
42	033655	Front Foot (2 required)
43	001843	Screw (2 required)
44	033656	Back Foot (2 required)
45	033675	Bolt for ground leads



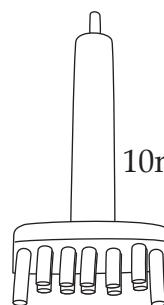
033645
French Fry Disc
(WFP16S15)



033646
Grating Disc
(WFP16S16)



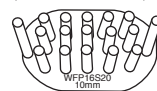
033644
Julienne Disc
(WFP16S14)



035678
10mm Punch Tool
(WFP16S20)



035675
8mm Punch Tool
(WFP16S19)



035681
12mm Punch Tool
(WFP16S21)

