


Unit Information

WFG250, WPG250 1800 Watts - 120 volt  NEMA 5-15

WPG250B 2400 Watts - 208 volt  NEMA 6-20

WFG250C, WPG250C 1800 Watts - 120 volt  NEMA 5-20

Grill takes about 10 minutes to warm up.

The WPB250B will heat-up and recover 32% faster than the WPG250

14.5" x 11" Cooking Surface

Flat, Ribbed or Flat & Ribbed Cast Iron Plates

WARING
COMMERCIAL

WDG250
ribbed top and flat bottom grill

WDG250C
ribbed top/flat bottom grill /Canada

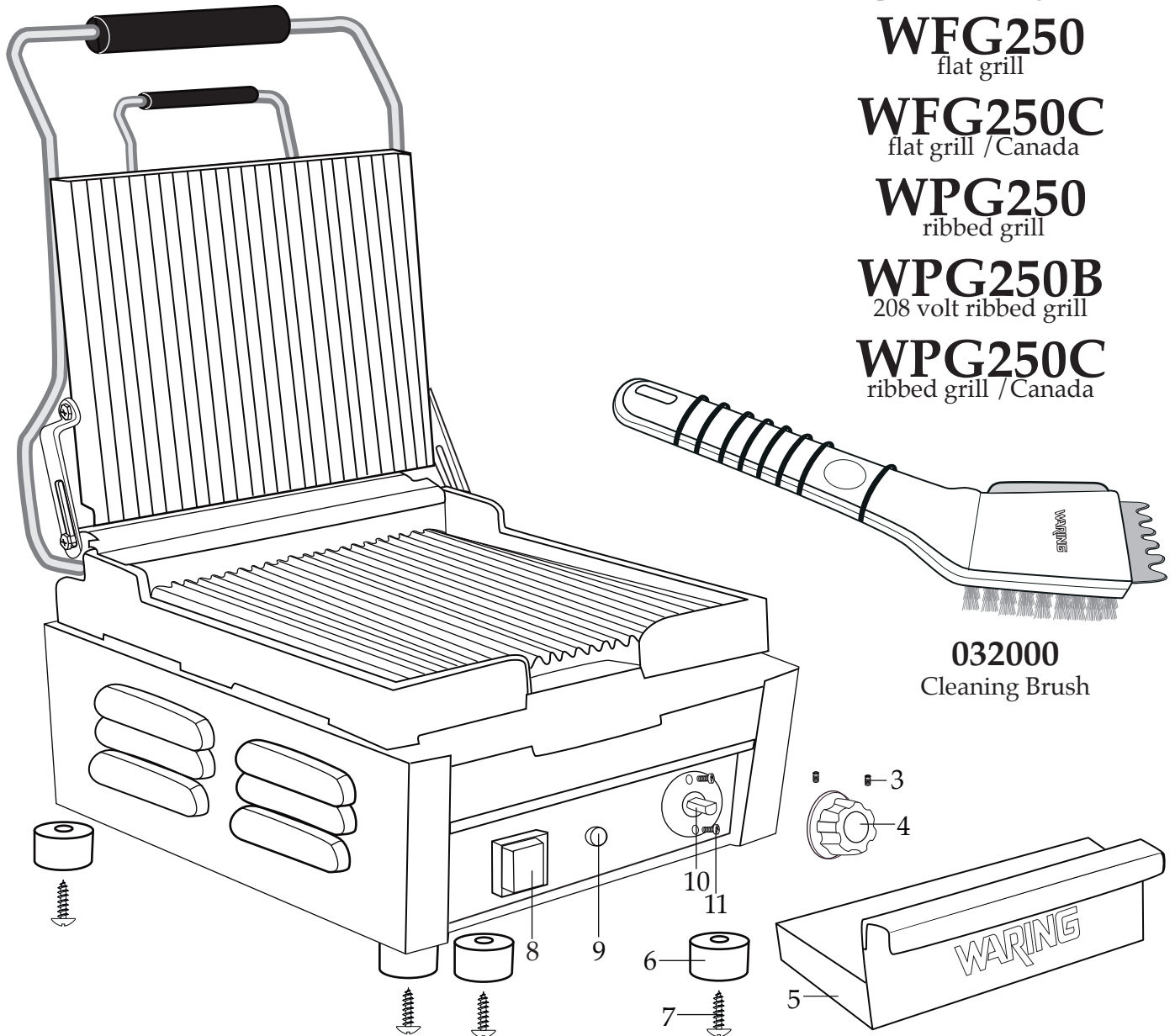
WFG250
flat grill

WFG250C
flat grill /Canada

WPG250
ribbed grill

WPG250B
208 volt ribbed grill

WPG250C
ribbed grill /Canada



032000
Cleaning Brush

503184 WDG250 Base Unit Assembly / ribbed top & flat bottom

503185 WDG250C Base Unit Assembly / Canadian ribbed top & flat bottom

503133 WFG250 Base Unit Assembly / flat

503304 WFG250C Base Unit Assembly / Canadian flat

503134 WPG250 Base Unit Assembly / ribbed

503245 WPG250B Base Unit Assembly / 208 volt ribbed

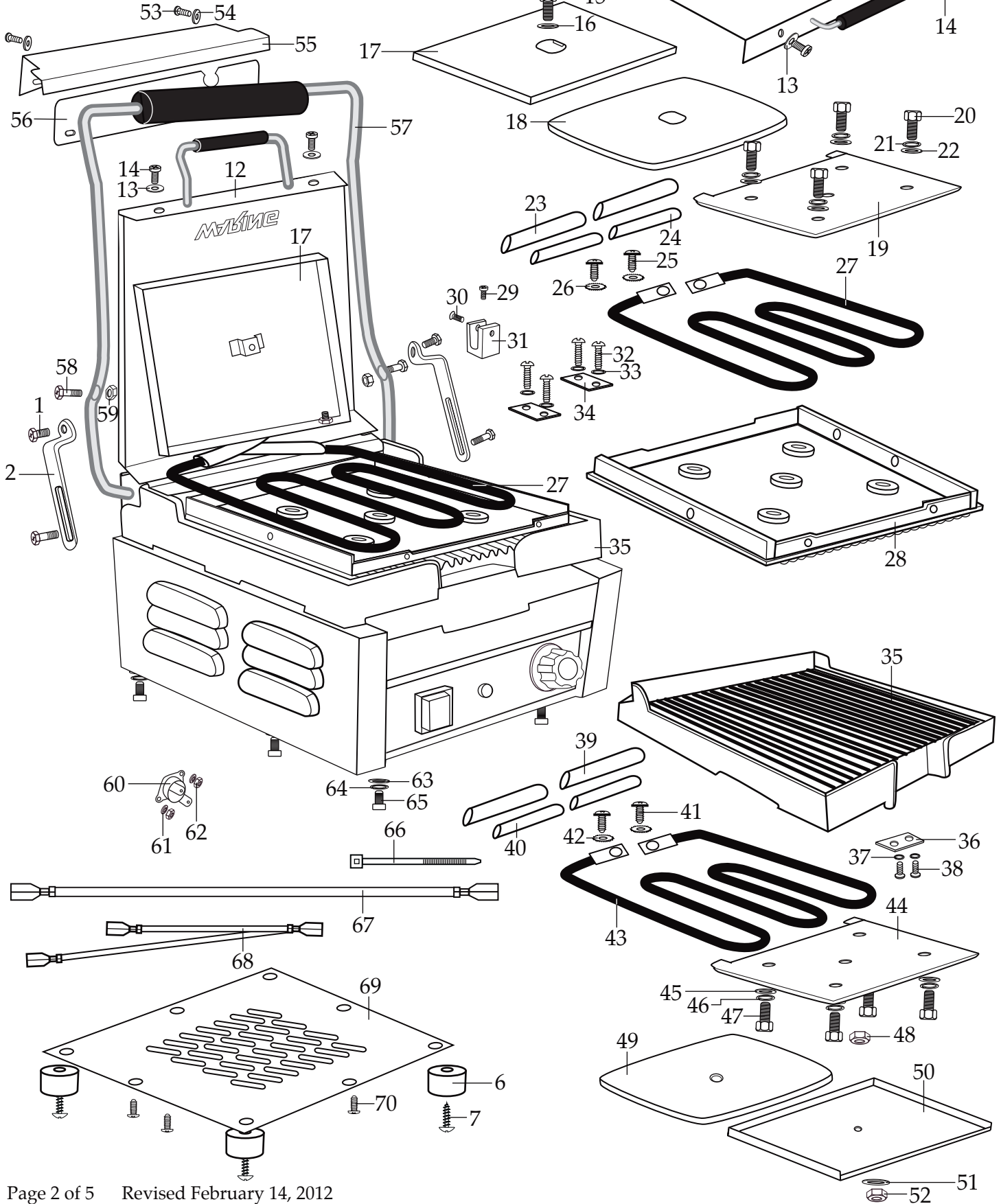
503504 WPG250C Base Unit Assembly / Canadian ribbed



029824

5/32 Short Arm Hex Key
(allen wrench)

Base Units



Catalog/Model

WDG250
WDG250C
WFG250
WFG250C
WPG250
WPG250B
WPG250C



Illustration #	Part #	Description
1	028625	Pivot Bracket Screw Set (one large & 1 small) 2 sets Req.'d
2	028624	Pivot Bracket 2 Req.'d
3	028627	Set Screw 2 Req.'d
4	028626	Control Knob
5	029503	Drip Tray
6	028622	Foot 4 Req.'d
7	028623	Foot Screw 4 Req.'d
8	029477 029478	On/Off Switch On/Off Switch /WPG250B
9	029941 030018	Indicator Light Indicator Light /WPG250B
10	029942 030013	Thermostat Thermostat /WPG250B
11	029943	Screw / thermostat 2 Req.'d
12	029945	Cover
13	029946	Washer 4 Req.'d
14	029947	Screw 4 Req.'d
15	029950	Bolt /hex head
16	029951	Washer
17	029953	Insulation Plate /top
18	029949	Insulation /top
19	029955	Element Plate /top
20	029962	Bolt /hex head 4 Req.'d
21	029963	Washer /spring 4 Req.'d
22	029964	Washer 4 Req.'d
23	029956	Fiber Sleeve 2 Req.'d
24	029957	Plastic Sleeve 2 Req.'d
25	029958	Screw 2 Req.'d
26	029959	Washer 2 Req.'d
27	029961 030020	Element /top - 6 Amps Element /top WPG250B

Catalog/Model

WDG250
WDG250C
WFG250
WFG250C
WPG250
WPG250B
WPG250C



Illustration #	Part #	Description
28	029967	Top Grill Plate / ribbed
	029968	Top Grill Plate / flat
29	030054	Screw
30	030055	Tension Screw
31	030056	Tension Bracket
32	029992	Screw 4 Req.'d
33	029993	Washer / spring 4 Req.'d
34	029995	Bracket / large handle 2 Req.'d
35	029971	Bottom Grill Plate / ribbed
	029972	Bottom Grill Plate / flat
36	029973	Bracket / thermostat
37	029974	Washer 2 Req.'d
38	029975	Screw 2 Req.'d
39	029956	Fiber Sleeve 2 Req.'d
40	029957	Plastic Sleeve 2 Req.'d
41	029958	Screw 2 Req.'d
42	029959	Washer 2 Req.'d
43	029977	Element /bottom - 8 Amps
	030021	Element /bottom /WPG250B
44	029979	Element Plate /bottom
45	029964	Washer 4 Req.'d
46	029963	Washer / spring 4 Req.'d
47	029962	Bolt /hex head 4 Req.'d
48	029980	Nut
49	029982	Insulation /bottom
50	029984	Insulation Plate /bottom
51	029951	Washer
52	029980	Nut
53	029985	Screw 2 Req.'d
54	029986	Washer 2 Req.'d
55	030007	Rear Cover with Tension Cover

Catalog/Model

WDG250
WDG250C
WFG250
WFG250C
WPG250
WPG250B
WPG250C

Waring Factory Service Center
314 Ella T. Grasso Ave.
Torrington, CT 06790
Tele. 1-800-269-6640
Fax 860-496-9017
www.waringproducts.com

Illustration #	Part #	Description
56	030008	Rear Cover Plate with Tension Hole
57	030009	Large Handle
58	029990	Screw /hex head 2 Req.'d
59	029991	Nut 2 Req.'d
60	029996 030014	Thermal Cut Off Thermal Cut Off /WPG250B
61	029997	Washer 2 Req.'d
62	029998	Nut 2 Req.'d
63	029999	Washer 4 Req.'d
64	030000	Washer /spring 4 Req.'d
65	030001	Bolt 4 Req.'d
66	013731	Wire Tie 7 Req.'d
67	030003	Lead /red 17"
68	030004	Lead /red & white joined
69	030002	Bottom Housing Plate
70	030006	Screw 4 Req.'d

