

WARING COMMERCIAL

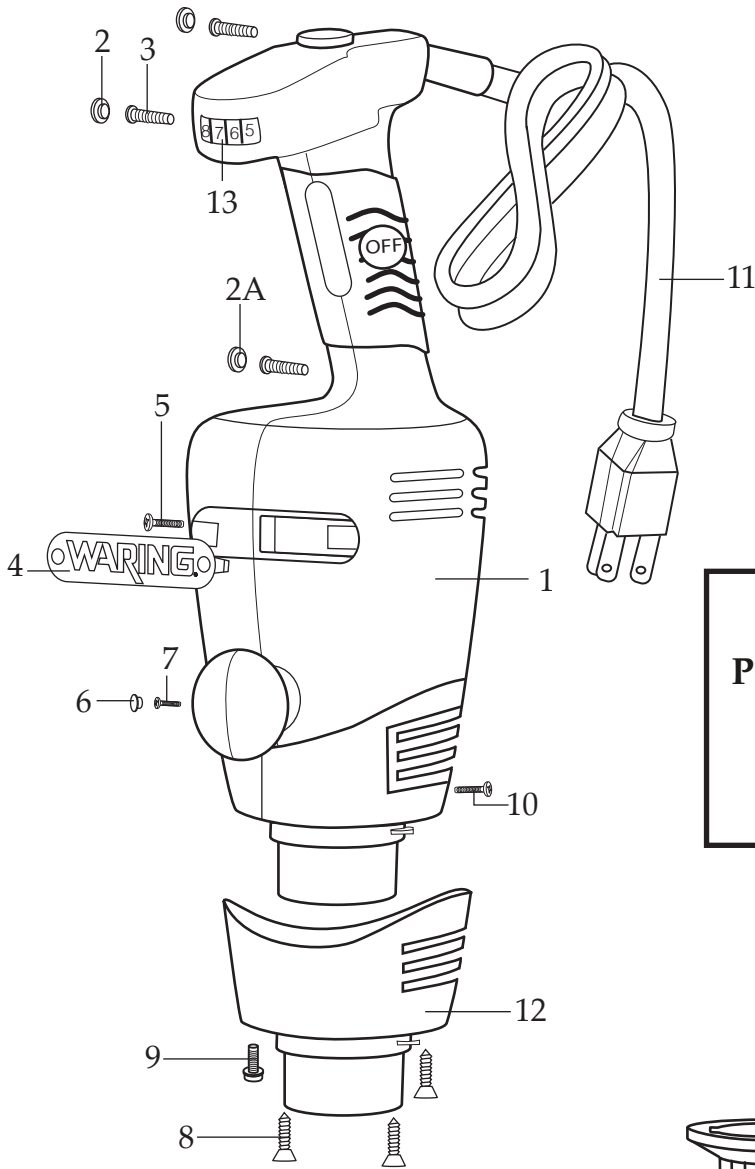
WSB50 12" Immersion Blender

WSB55 14" Immersion Blender

WSB60 16" Immersion Blender

WSB65 18" Immersion Blender

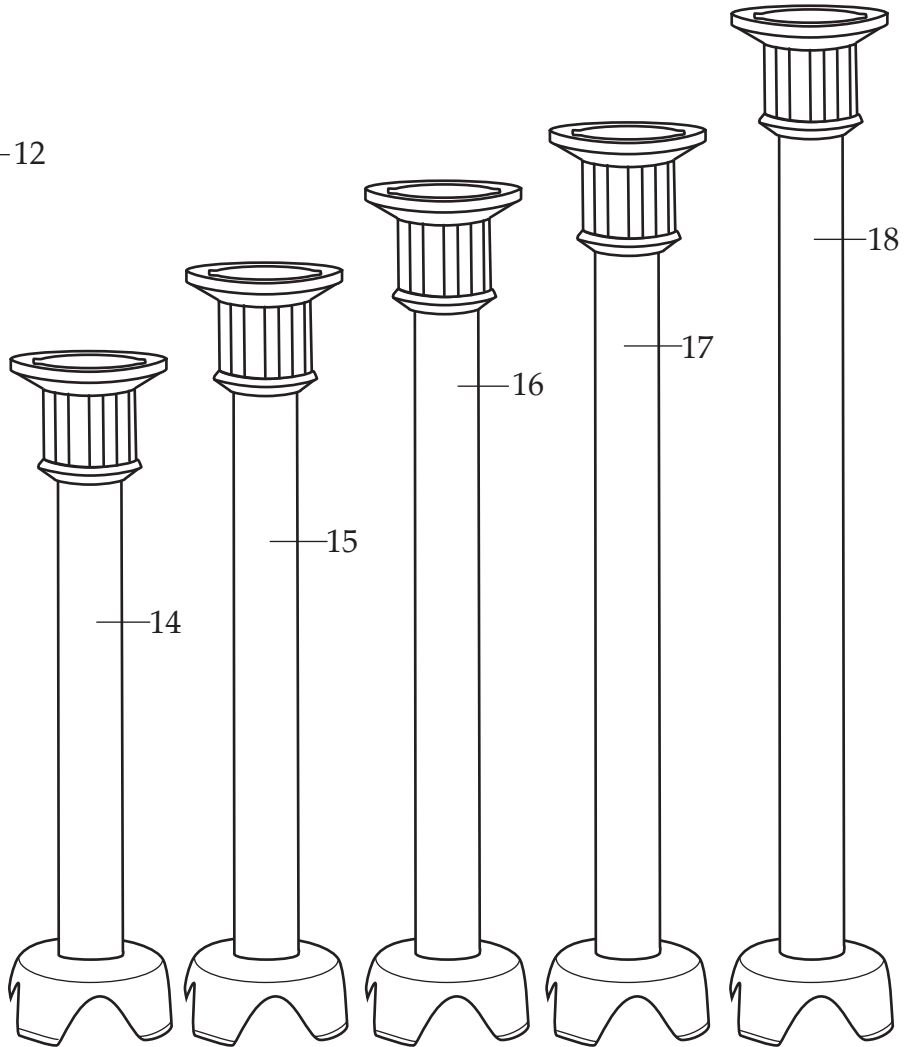
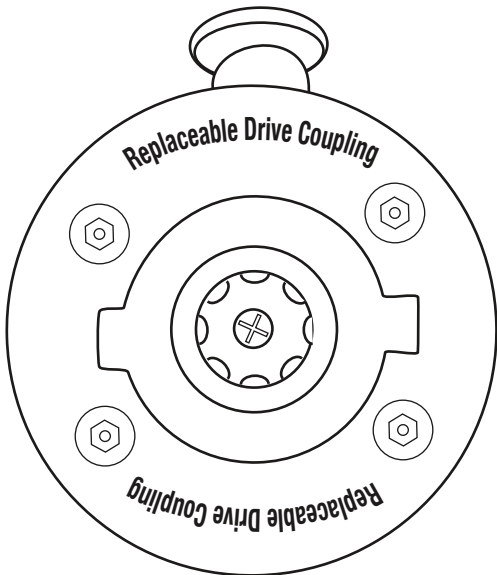
WSB70 21" Immersion Blender



503357 Kit *Parts Included*

Power Pack Coupling Tool

Shaft Coupling Tool



To use the 503357 kit the bottom of your Power Pack must look like this.

Catalog

WSB50
 WSB55
 WSB60
 WSB65
 WSB70

Model

WSB
 WSB
 WSB
 WSB
 WSB

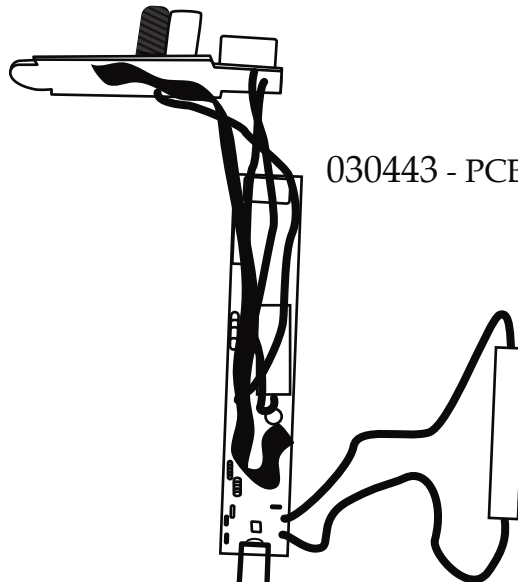
Waring Factory Service Center
 314 Ella T. Grasso Ave.
 Torrington, CT 06790
 Tele. 1-800-269-6640

COMMERCIAL
 Fax 860-496-9017
 www.waringproducts.com

Illustration #	Part #	Description
1	502955	WSB Power Pack
2	029839	Hole Plug 2 Req.'d
2A	029905	Hole Plug
3	029840	Screw 3 Req.'d
4	029841	Name Plate Panel
5	029842	Screw
6	029843	Hole Plug
7	029844	Screw
8	029845	Screw 3 Req.'d
9	029846	Screw
10	029844	Screw
11	030442	Cord Set
12	030440	Housing Cover
13	032650	Speed Control Knob
14	502956	12" Shaft Assy. with Blade
15	502957	14" Shaft Assy. with Blade
16	502958	16" Shaft Assy. with Blade
17	503002	18" Shaft Assy. with Blade
18	503003	21" Shaft Assy. with Blade

Internal Component

032650 - Speed Control Knob



030443 - PCB Board Assy.