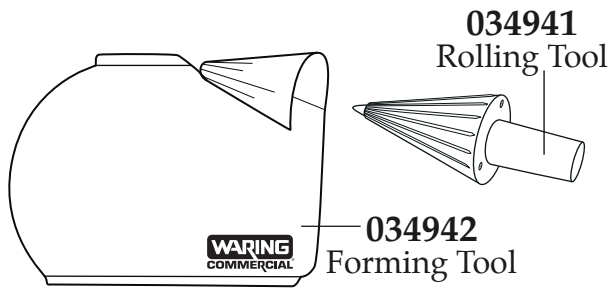


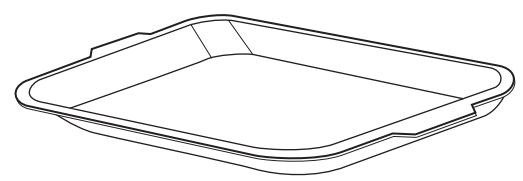
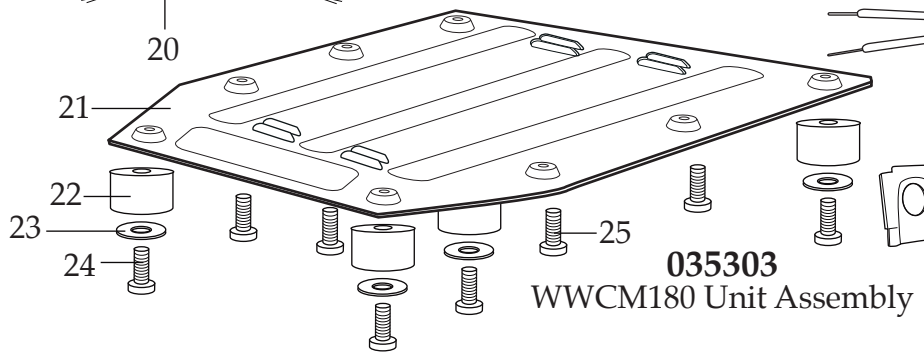
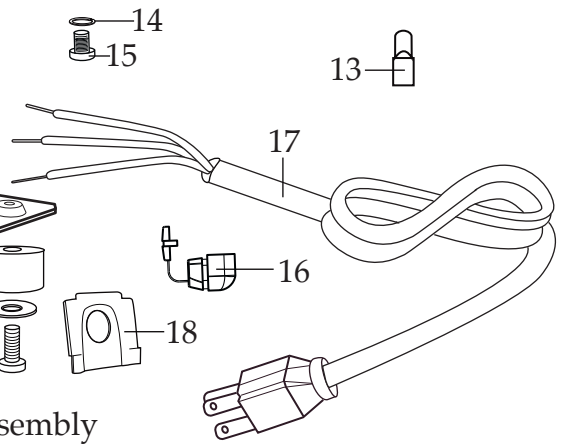
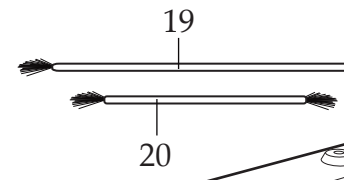
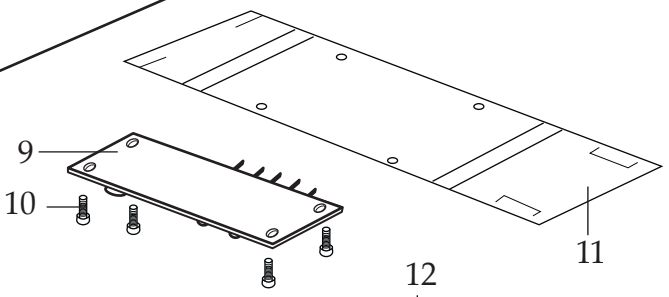
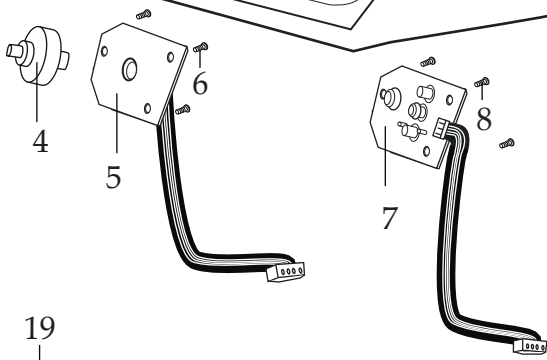
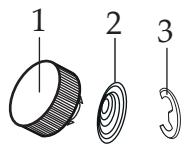
# WARING COMMERCIAL®

## Single Waffle Cone Maker WWCM180

**Unit Information**  
120 volts – 60 Hz – 1200 Watts



033041 Waffle Cone Roll/Form Tool (CAC121)





<b>Illustration #</b>	<b>Part #</b>	<b>Description</b>
1	032352	Browning Control Knob
2	034938	Spring Coil
3	032362	E Ring
4	034937	Pole Connector
5	035316	Darkness Control Panel (thermostat) w/ Short Lead Tape
6	034939	Screw (3 required)
7	034936	Control Board
8	032359	Screw (3 required)
9	035304	PCB Board
10	032359	Screw (4 required)
11	030638	PCB Board Shield
12	013731	Wire Tie (6 required)
13	019123 012409	Large Crimp Connector Small Crimp Connector (3 required)
14	032360	Spring Washer (2 required)
15	035298	Ground Screw (2 required)
16	032361	Strain Relief
17	032363	Cord Set
18	032371	Cord Plate
19	035305	10.5" White Lead Assembly
20	035306	4" White Lead
21	032351	Bottom Plate
22	032353	Foot (4 required)
23	032354	Foot Washer (4 required)
24	032355	Foot Screw (4 required)
25	032750	Bottom Plate Screw (4 required)