

WARING COMMERCIAL[®]

Double Waffle Cone Maker

WWCM200

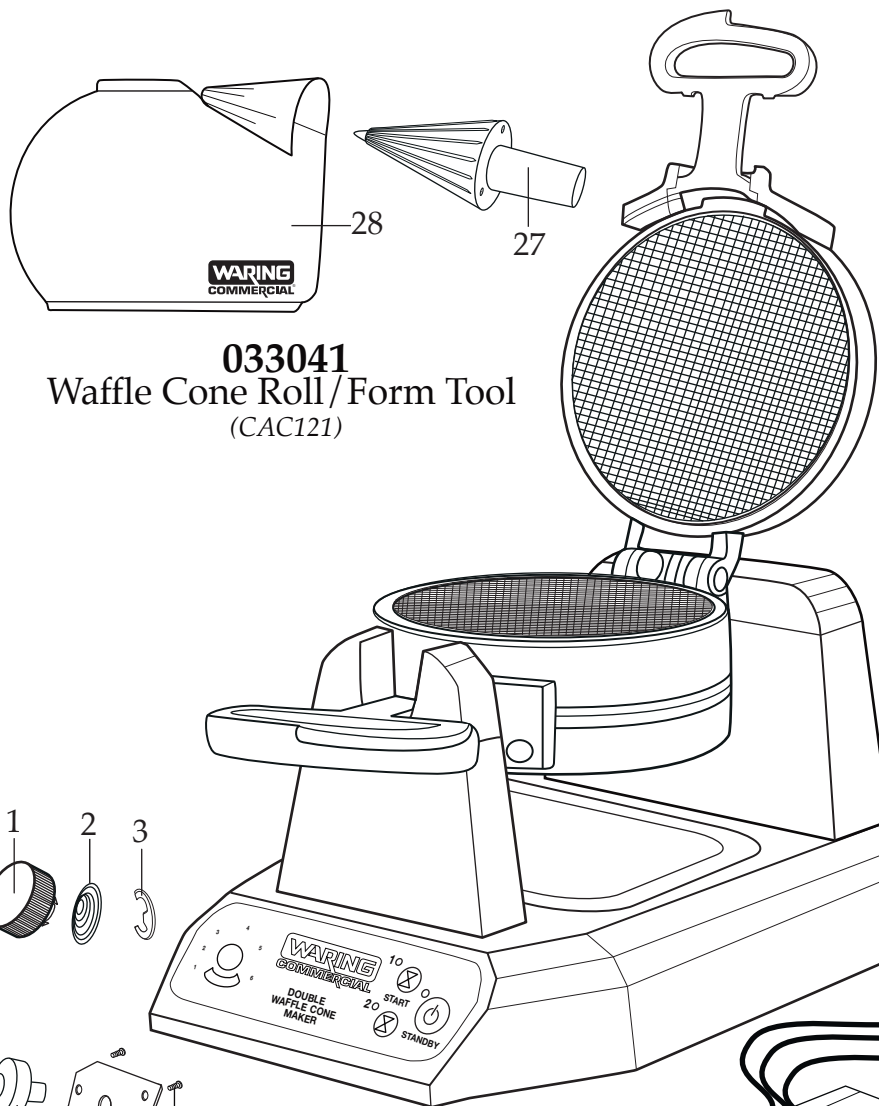
Unit Information

120 Volts - 60 Hz - 1400 Watts

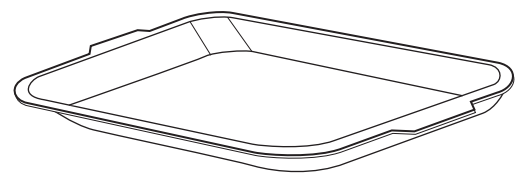
Unit has independent ready lights

Triple coated nonstick plates

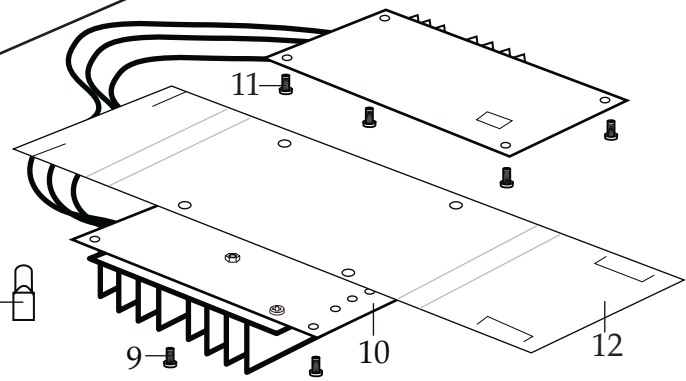
Let unit cool completely before cleaning



033041
Waffle Cone Roll/Form Tool
(CAC121)



032350
Drip Pan



034940
Complete Unit Assembly

Illustration #	Part #	Description
1	032352	Browning Control Knob
2	034938	Spring Coil
3	032362	E Ring
4	034937	Pole Connector
5	032358	Darkness Control Panel (thermostat)
6	034939	Screw (3 required)
7	034936	Control Board
8	032359	Screw (3 required)
9	032359	Screw (4 required)
10	034935	PCB Board and Power Board Assembly
11	032359	Screw (3 required)
12	030638	Power Board Shield
13	013731	Wire Tie (6 required)
14	019123 012409	Large Crimp Connector Small Crimp Connector (3 required)
15	034933	9.75" Green Lead Assembly
16	034932	7.5" Red Lead Assembly
17	034934	6.25" Blue Lead Assembly
18	032360	Spring Washer (2 required)
19	035298	Ground Screw (2 required)
20	032363	Cord Set
21	032361	Strain Relief
22	032371	Cord Plate
23	032351	Bottom Plate
24	032355	Screw (8 required)
25	032354	Foot Washer (4 required)
26	032353	Foot (4 required)
27	034941	Rolling Tool
28	034942	Forming Tool